



## Brass Spring Check Valve

### General Description

*Brass Spring Check Valve* allows water flow in one direction only. A spring seal remains open with water flowing in one direction, and automatically closes when flow stops preventing backflow. These valves are suitable for installation in both horizontal and vertical pipelines.



### Maximum Working Pressure

-DN15(1/2")	PN40
-DN20(3/4")	PN32
-DN25(1)-DN32(1 1/4")	PN25
-DN40(1 1/2")-DN50(2")	PN16

### Temperature Range

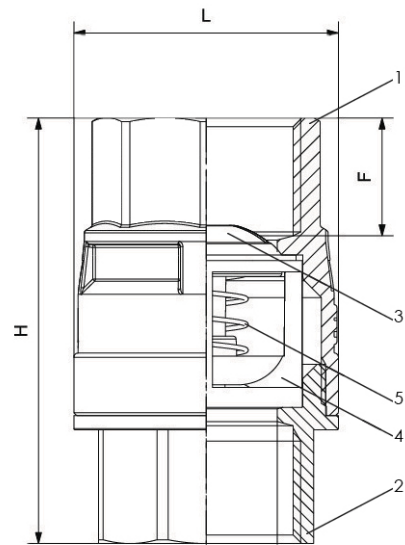
-10°C to 90°C

### Connections

BSPF Female thread as per BS EN 10226-1

### Sizes

Sizes		Dimensions (mm)			Pressure (bar)	Weight (Kg)	Product Code
In.	mm	H	L	F			
1/2"	DN 15	56	30.5	16.5	40	0.13	RDCVSP015S
3/4"	DN 20	61	38.0	17.4	32	0.19	RDCVSP020S
1"	DN 25	78	46.5	20.7	25	0.34	RDCVSP025S
1 1/4"	DN 32	94	56.5	22.5	25	0.52	RDCVSP032S
1 1/2"	DN 40	94	68.0	22.8	16	0.79	RDCVSP040S
2"	DN 50	110	83.0	27.0	16	1.25	RDCVSP050S



### Material Specification

No	Description	Material
1	Body	Brass CW617N
2	Body	Brass CW617N
3	Seal	POM +SEBS
4	Inner Case	POM
5	Spring	Stainless Steel AISI 302

### Important Installation Information

- *Brass Spring Check Valve* must only be installed by a competent person in accordance with requirements of the local authority having jurisdiction. Deviations from these standards will invalidate warranty.
- It is the responsibility of the installing contractor to include a copy of this document in the sprinkler system installation, operating and maintenance manual.
- Alterations to Rapidrop products will void any warranty.
- *Brass Spring Check Valve* should be inspected and maintained during routine sprinkler system inspections by a competent person in accordance with national codes/requirements.
- Failure to follow these instructions could cause improper operation, resulting in personal injury and/or property damage.
- For further details and technical support please contact your Rapidrop sales representative.