



Dry Riser Landing Valve Threaded - Male Model: DRV006

Product Description

Dry riser landing valves are outlets from the riser main. The valves are situated on each floor of a high rise building and are usually housed in an outlet cabinet. Dry riser landing valves are available with PN16 inlet, Table D inlet, BSP threaded male inlet and BSP threaded female inlet. The outlets are to BS336 and come complete with cap & chain. Padlocks and straps are available on request.

Standards

Manufactured to BS5041 part 2
Flange manufactured to BS4504

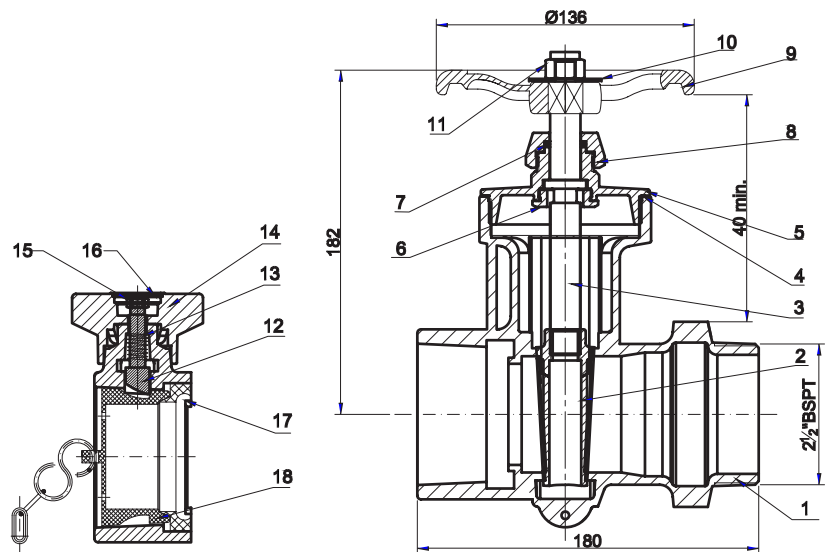
Features

Manufactured from LG2 bronze
Range of inlets available, PN16, Table D, BSP male thread, BSP female thread
Compact design



Specifications

Size	65mm (2 1/2")
Material	LG2
Pressure Rating	Tested to 22 bar
Inlet Connection	BSP Male Threaded
Outlet Connection	BS336 Female
Manufactured in Accordance to	BS5041 Part 2



Material Specifications

Item	Part Description	Qty	Material
1	Body	1	LG2
2	Disc	1	Brass
3	Stem	1	Brass
4	Valve Cap O-ring	1	Rubber
5	Valve Cap	1	Brass
6	Nut	1	Brass
7	Valve Stem O-ring	1	Rubber
8	Nut	1	Brass
9	Handwheel	1	Brass

Item	Part Description	Qty	Material
10	Handwheel Gasket	1	Steel
11	Nut M12	1	Steel
12	Tag	1	Brass
13	Spring	1	SUS304
14	Guard Knob	1	Brass
15	Nut M8	1	Steel
16	Cap	1	Plastic
17	Sealing Ring	1	Rubber
18	Cap with Chain	1	Plastic & Steel