

# FCS Height Adjustable Loop Hanger for cPVC Pipe

### Features

- Recommended for the suspension of stationary non-insulated fire sprinkler pipe
- Redesigned strap and cup nut minimize friction for easier adjustment up and down the threaded rod (1/2" to 4" sizes)
- Formed tips on the upper strap simplify disassembly and reassembly of the hanger
- Rolled edges on the strap help to guide the pipe through, limiting binding and damage to metal or plastic pipe
- Package includes all necessary hardware for installation

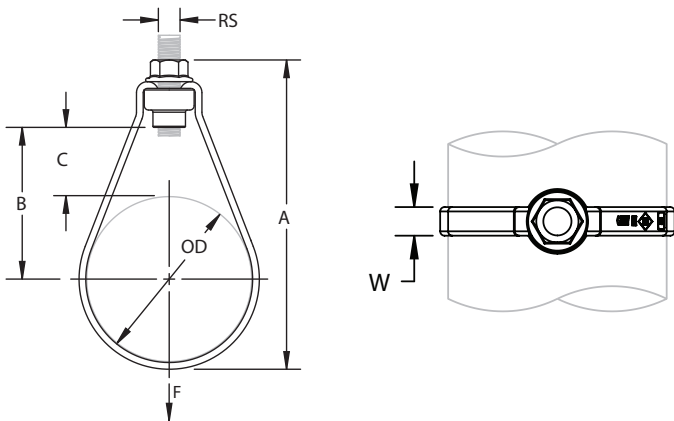


### Material

Steel

### Finish

Electrogalvanized



### Dimensions

DN	Size		Rod RS	W	A	B	C	Static Load	Ordering Codes
	OD	Inch							
*20	27	3/4"	M8	10	74	31	17	1.600 N	RDC597962
20	27	3/4"	M10	10	76	31	17	1.600 N	RDC597968
*25	34	1"	M8	10	85	36	19	1.600 N	RDC597963
25	34	1"	M10	10	87	36	19	1.600 N	RDC597969
*32	43	1 1/4"	M8	10	89	36	15	1.600 N	RDC597964
32	43	1 1/4"	M10	10	91	36	15	1.600 N	RDC597971
*40	48	1 1/2"	M8	10	97	41	17	1.600 N	RDC597965
40	48	1 1/2"	M10	10	99	41	17	1.600 N	RDC597972
*50	60	2"	M8	10	112	50	20	1.600 N	RDC597966
50	60	2"	M10	10	114	50	20	1.600 N	RDC597973
65	76	2 1/2"	M10	10	142	68	30	2.300 N	RDC597974
80	89	3"	M10	10	164	83	39	2.300 N	RDC597975
100	114	4"	M10	10	206	112	55	2.300 N	RDC597976
125	140	5"	M12	15	227	114	44	2.900 N	RDC597977
150	165	6"	M12	15	272	146	63	4.000 N	RDC597978
200	219	8"	M16	25	349	184	75	4.000 N	RDC597979
*250	273	10"	M20	25	480	279	143	6.500 N	RDC597981

\* Not FM Approved



Manufactured by nvent Caddy who hold FM Approval and VdS Certificate