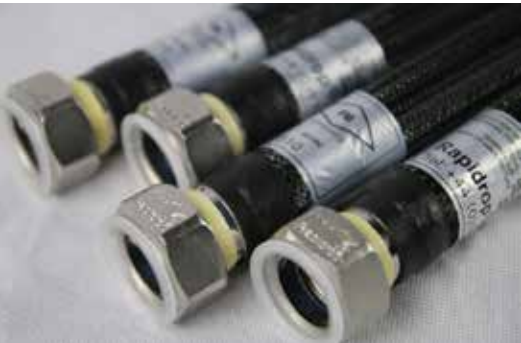




# Rapidrop Global Ltd

British Manufacturer of Fire Detection & Suppression Equipment

## Product Guide 2020





3	Typical Sprinkler Layout		32	NRS Gate Valves - 117FF	
4	Flexible Sprinkler Connection Kits		33	NRS Gate Valve - 112	
5	Flexible Sprinkler Connections Components		34	Flange Joint Sets & Gaskets	
6	Standard Response Pendent Sprinklers 15mm K80 (SSP)		35 - 36	OS&Y Gate Valves - 103FF & 103GG	
7	Quick Response Pendent Sprinklers 15mm K80 (SSP)		37	PIV Gate Valves -104FF	
8	Standard Response Conventional Sprinklers 15mm K80 (CUP)		38	NRS Gate Valve Assembly	
9	Quick Response Conventional Sprinklers 15mm K80 (CUP)		39	Switches & Gauges	
10	Standard Response Sprinklers Upright - 15mm K80 (SSU)		40-41	Test & Drain Valves	
11	Quick Response Sprinklers Upright - 15mm K80 (SSU)		42 - 43	Non Return Valves	
12	Standard Response Sprinklers Pendent 20mm (K115) SSP		44	Double Door Wafer Check Valves	
13	Quick Response Sprinklers Pendent 20mm (K115) SSP		45	Y-Type Strainers	
14	Standard Response Sprinklers Upright 20mm (K115) SSU		46	Foot Valves	
15	Quick Response Sprinklers Upright 20mm (K115) SSU		47 - 49	Small Bore Valves	
16	Standard Response Sprinklers Sidewall 15mm (K80) HSW		50	Pump Initiation boards BS EN12845	
17	Quick Response Sprinklers Sidewall 15mm (K80) HSW		51	Zone Assemblies	
18	Commercial Concealed Sprinklers		52 - 57	Flow Meters	
19 - 21	Commercial Flush Pendent Sprinklers		58 - 59	High Pressure Valves	
22	Residential Concealed & Flush Pendent Sprinklers		60	Cla-Val Pressure Reducing Valves	
23	Sprinkler Accessories		61	Cla-Val Pressure Relief Valves	
24	Sprinkler Guard & Shields		62	Cla-Val Deluge Valves	
25	Residential Sprinkler System Equipment		63	Dry Barrel Fire Hydrant	
26	Wet Alarm Valve Sets		64 - 65	Dry Riser Equipment	
27	Wet Alarm Valve Accessories		66	Dry / Wet Rise Equipment Cabinets	
28	General Purpose Butterfly Valves (APSA)		67	Wet Riser Equipment	
29	FM & UL Butterfly Valves		68 - 69	Dry / Wet Riser Equipment Grooved Couplings & Accessories	
30	FM, UL, VdS Butterfly Valves		70	Flange Joint Sets & Gaskets	
31	FM, UL, Threaded Butterfly Valves				



# Typical Sprinkler Layout



## 1. RAPIDROP FLEXIBLE

CNBOP/LPCB/UL (no braiding SP)	FM/Vds/CNBOP (with braiding SPB)	FM/LPCB (with braiding SMB)
RDRSP1A (780mm)	RDRSPB1AV (780mm)	RDSMB01 (780mm)
RDRSP2AS (1000mm)	RDRSPB2AV (1220mm)	RDSMB02 (1000mm)
RDRSP2A (1220mm)	RDRSPB3AV (1540mm)	RDSMB03 (1220mm)
RDRSP3A (1540mm)	RDRSPB4AV (1880mm)	RDSMB04 (1540mm)
RDRSP4A (1880mm)	RDRSPB5AV (2540mm)	RDSMB05 (1880mm)
RDRSP5A (2540mm)		
RDRSP6A (3220mm)		

## MINIMUM RADIUS INDICATOR

<b>RDRMRI075</b> (non-braided model SP)
<b>RDBMRI075</b> (Braided model SMB)

## 6. B BRACKET (X 2)

### FOR LAY-IN GRID CEILINGS

Pendent Sprinkler Head  
(Bracket B11) **RDRB11**  
Concealed Sprinkler Head  
(Bracket B07) **RDRB07**

### FOR PLASTERBOARD CEILINGS

Pendent Sprinkler Head  
(Bracket B01) **RDRB01**  
Concealed Sprinkler Head  
(Bracket B90) **RDRB900**

## 2. INLET NIPPLE

**RDRNIPLER1**  
(25mm x 25mm)  
**RDRNIPLER1.1/4**  
(32mm x 25mm) - UK

## 3. OUTLET REDUCER

STRAIGHT REDUCER  
**RDREDR 1/2 NPT** or **RDREDR 3/4 NPT**  
1/2" NPT (15mm) or 3/4" NPT (20mm)

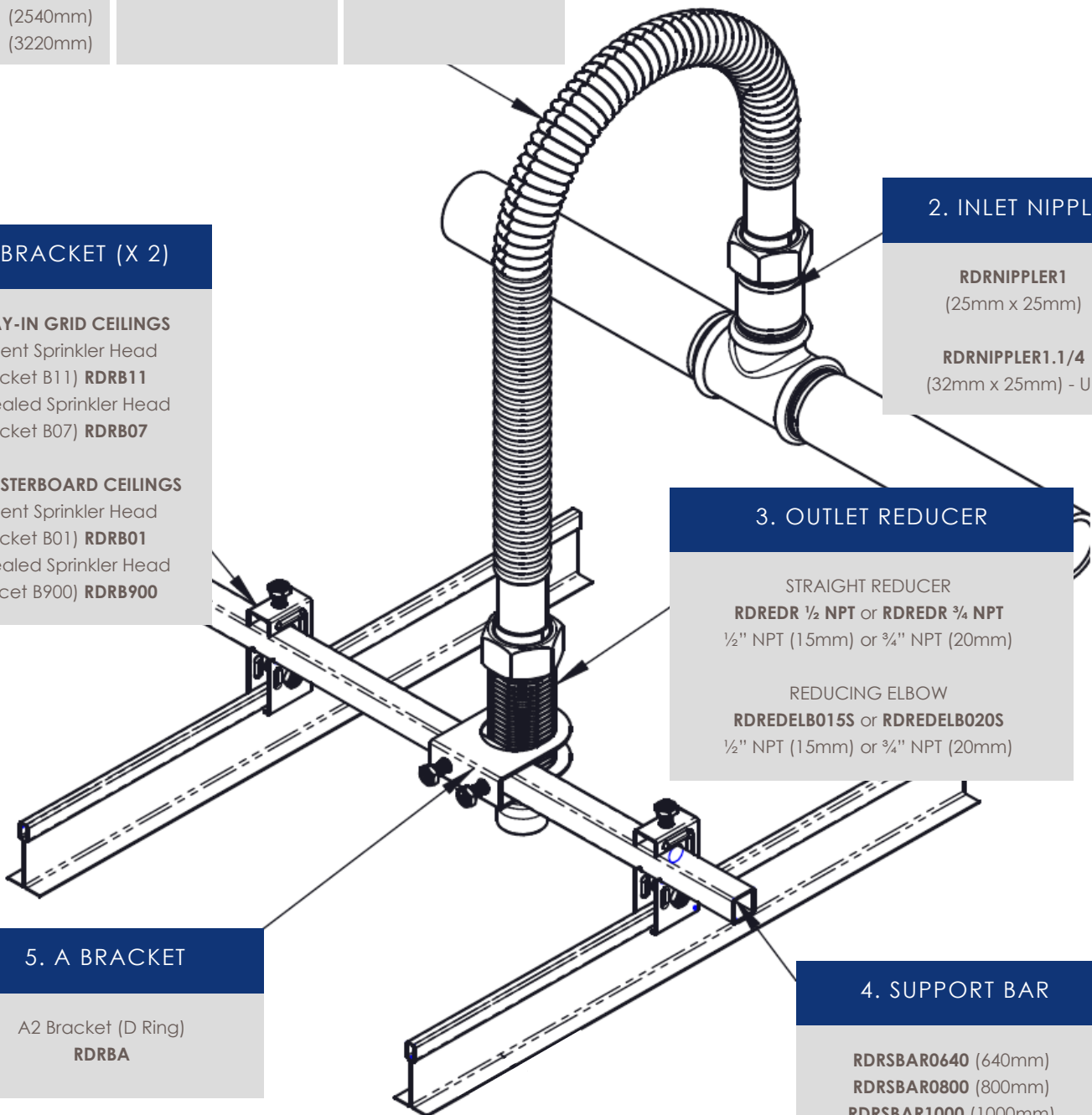
REDUCING ELBOW  
**RDREDELB015S** or **RDREDELB020S**  
1/2" NPT (15mm) or 3/4" NPT (20mm)

## 5. A BRACKET

A2 Bracket (D Ring)  
**RDRBA**

## 4. SUPPORT BAR

**RDRSBAR0640** (640mm)  
**RDRSBAR0800** (800mm)  
**RDRSBAR1000** (1000mm)  
**RDRSBAR1RD240** (1240mm)  
**RDRSBAR1600** (1600mm)





Cert.LPCB/ ref. 566e/01



## FLEXIBLE SPRINKLER CONNECTION KITS

### Each standard kit includes:

- 1x Flexible Hose
- 1x Inlet Nipple
- 1x Outlet Reducer
- 1x A Bracket (D Ring)
- 1x Support Bar (up to 1000mm in length)
- 2x B Bracket

For flexible hose only, reduce kit price by £2.50

For an additional £2.10 per kit, Flexible Connection Kits can be upgraded to include reducing elbows or bars over 1000mm in length

PART NUMBER	DESCRIPTION	BOX QTY
Datasheet No. 3.3, 3.5 & 3.11		
RDRSP1A	Flexible Connection Kit with 780mm Model SP Flexible Hose (LPCB, UL)	10
RDRSP2AS	Flexible Connection Kit with 1000mm Model SP Flexible Hose (LPCB, UL)	10
RDRSP2A	Flexible Connection Kit with 1220mm Model SP Flexible Hose (LPCB, UL)	10
RDRSP3A	Flexible Connection Kit with 1540mm Model SP Flexible Hose (LPCB, UL)	10
RDRSP4A	Flexible Connection Kit with 1880mm Model SP Flexible Hose (LPCB, UL)	10
RDRSP5A	Flexible Connection Kit with 2540mm Model SP Flexible Hose (LPCB, UL)	10
RDRSPB1AV	Flexible Connection Kit with 780mm Model SPB Braided Flexible Hose (FM, VdS)	10
RDRSP2BAV	Flexible Connection Kit with 1220mm Model SPB Braided Flexible Hose (FM, VdS)	10
RDRSP3AV	Flexible Connection Kit with 1540mm Model SPB Braided Flexible Hose (FM, VdS)	10
RDRSP4AV	Flexible Connection Kit with 1880mm Model SPB Braided Flexible Hose (FM, VdS)	10
RDRSP5AV	Flexible Connection Kit with 2540mm Model SPB Braided Flexible Hose (FM, VdS)	10
RDSMB01	Flexible Connection Kit with 780mm Model SMB Braided Flexible Hose (FM, LPCB)	10
RDSMB02	Flexible Connection Kit with 1000mm Model SMB Braided Flexible Hose (FM, LPCB)	10
RDSMB03	Flexible Connection Kit with 1220mm Model SMB Braided Flexible Hose (FM, LPCB)	10
RDSMB04	Flexible Connection Kit with 1540mm Model SMB Braided Flexible Hose (FM, LPCB)	10
RDSMB05	Flexible Connection Kit with 1880mm Model SMB Braided Flexible Hose (FM, LPCB)	10
RDSMB06	Flexible Connection Kit with 2540mm Model SMB Braided Flexible Hose (FM, LPCB)	10



Cert.LPCB/ ref. 566e/01



## FLEXIBLE SPRINKLER CONNECTION COMPONENTS

- Full range of bars, brackets and reducers for the different ceiling applications
- Bars over 1600mm are available as special order

PART NUMBER	DESCRIPTION	BAG/ BOX QTY
Datasheet No. 3.5		
RDRBA	A2 bracket (D Ring)	10 / 200
RDRB01	B01 bracket (SSP sprinkler head in plasterboard ceiling)	20 / 400
RDRB09	B09 bracket (concealed sprinkler head in plasterboard ceiling)	20 / 200
RDRB900	B900 bracket (concealed sprinkler head in plasterboard ceiling)	20 / 200
RDRB11	B11 bracket (SSP sprinkler head in lay-in grid ceiling)	20 / 200
RDRB07	B07 bracket (concealed sprinkler head in lay-in grid ceiling)	20 / 360
RDRB04-1E	B04-1E bracket (FM approved)	20 / 360
RDRMRI075	Minimum Radius Indicator (For unbraided SP)	100
RDBMRI075	Minimum Radius Indicator (For braided SMB)	100
RDRNIPPLER1	1" inlet nipple	10 / 100
RDRNIPPLER1.1/4	1 1/4" inlet nipple	10 / 100
RDREDR1/2NPT	1/2" reducer 110mm long	80
RDREDR3/4NPT	3/4" reducer 110mm long	80
RDREDR1/2NPT140	1/2" reducer 140mm long	80
RDREDR3/4NPT140	3/4" reducer 140mm long	80
RDREDR1/2L	1/2" reducer 170mm long	50
RDREDR1/2LTH	1/2" reducer threaded 170mm long, Inc Nut	50
RDREDELB015S	Short radius 90 degree elbow 1/2"	36
RDREDELB020S	Short radius 90 degree elbow 3/4"	36
RDREDELB015	Standard radius 90 degree elbow 1/2"	36
RDREDELB020	Standard radius 90 degree elbow 3/4"	36
RDRSBAR0640	640mm long support bar	60
RDRSBAR0800	800mm long support bar	60
RDRSBAR1000	1000mm long support bar	60
RDRSBAR1RD240	1240mm long support bar	40
RDRSBAR1600	1600mm long support bar	40

# Standard Response Pendent Sprinklers 15mm K80 (SSP)



Cert/LPCB/ ref. 566d/01



## MODEL: RD022

- CE, LPCB, UL, FM & VdS approved
- Spray Pendent (SSP)
- Brass, Chrome and paint finish
- Special RAL colours available on request
- Standard Response
- 5mm Bulb
- UK Manufactured



RAL Colour Match



Sprinkler Wrench

PART NUMBER	DESCRIPTION	BOX QTY
Datasheet No. 4.18		
RDM022057P	½" SSP (Pendent) brass sprinkler standard response (5mm bulb) K=80, 57 degrees	100
RDM022068P	½" SSP (Pendent) brass sprinkler standard response (5mm bulb) K=80, 68 degrees	100
RDM022079P	½" SSP (Pendent) brass sprinkler standard response (5mm bulb) K=80, 79 degrees	100
RDM022093P	½" SSP (Pendent) brass sprinkler standard response (5mm bulb) K=80, 93 degrees	100
RDM022141P	½" SSP (Pendent) brass sprinkler standard response (5mm bulb) K=80, 141 degrees	100
RDM022057C	½" SSP (Pendent) chrome sprinkler standard response (5mm bulb) K=80, 57 degrees	100
RDM022068C	½" SSP (Pendent) chrome sprinkler standard response (5mm bulb) K=80, 68 degrees	100
RDM022079C	½" SSP (Pendent) chrome sprinkler standard response (5mm bulb) K=80, 79 degrees	100
RDM022093C	½" SSP (Pendent) chrome sprinkler standard response (5mm bulb) K=80, 93 degrees	100
RDM022141C	½" SSP (Pendent) chrome sprinkler standard response (5mm bulb) K=80, 141 degrees	100
RDM022057R9010	½" SSP (Pendent) white sprinkler standard response (5mm bulb) K=80, 57 degrees "	100
RDM022068R9010	½" SSP (Pendent) white sprinkler standard response (5mm bulb) K=80, 68 degrees	100
RDM022079R9010	½" SSP (Pendent) white sprinkler standard response (5mm bulb) K=80, 79 degrees	100
RDM022093R9010	½" SSP (Pendent) white sprinkler standard response (5mm bulb) K=80, 93 degrees	100
RDM022141R9010	½" SSP (Pendent) white sprinkler standard response (5mm bulb) K=80, 141 degrees	100



# Quick Response Pendent Sprinklers 15mm K80 (SSP)



Cert/LPCB/ ref. 566d/02



## MODEL: RD023

- CE, LPCB, UL, FM & VdS approved
- Spray Pendent (SSP)
- Brass, Chrome and paint finish
- Special RAL colours available on request
- Quick Response
- 3mm Bulb
- UK Manufactured



RAL Colour Match



Sprinkler Wrench

PART NUMBER	DESCRIPTION	BOX QTY
Datasheet No. 4.18		
RDM023057P	½" SSP (Pendent) brass sprinkler quick response (3mm bulb) K=80, 57 degrees	100
RDM023068P	½" SSP (Pendent) brass sprinkler quick response (3mm bulb) K=80, 68 degrees	100
RDM023079P	½" SSP (Pendent) brass sprinkler quick response (3mm bulb) K=80, 79 degrees	100
RDM023093P	½" SSP (Pendent) brass sprinkler quick response (3mm bulb) K=80, 93 degrees	100
RDM023141P	½" SSP (Pendent) brass sprinkler quick response (3mm bulb) K=80, 141 degrees	100
RDM023057C	½" SSP (Pendent) chrome sprinkler quick response (3mm bulb) K=80, 57 degrees	100
RDM023068C	½" SSP (Pendent) chrome sprinkler quick response (3mm bulb) K=80, 68 degrees	100
RDM023079C	½" SSP (Pendent) chrome sprinkler quick response (3mm bulb) K=80, 79 degrees	100
RDM023093C	½" SSP (Pendent) chrome sprinkler quick response (3mm bulb) K=80, 93 degrees	100
RDM023141C	½" SSP (Pendent) chrome sprinkler quick response (3mm bulb) K=80, 141 degrees	100
RDM023057R9010	½" SSP (Pendent) white sprinkler quick response (3mm bulb) K=80, 57 degrees	100
RDM023068R9010	½" SSP (Pendent) white sprinkler quick response (3mm bulb) K=80, 68 degrees	100
RDM023079R9010	½" SSP (Pendent) white sprinkler quick response (3mm bulb) K=80, 79 degrees	100
RDM023093R9010	½" SSP (Pendent) white sprinkler quick response (3mm bulb) K=80, 93 degrees	100
RDM023141R9010	½" SSP (Pendent) white sprinkler quick response (3mm bulb) K=80, 141 degrees	100



Cert/LPCB/ ref. 566d/01



## MODEL: RD020



- CE, LPCB, VdS approved
- Conventional (CUP)
- Brass, Chrome and paint finish
- Special RAL colours available on request
- Standard Response
- 5mm Bulb
- UK Manufactured



RAL Colour Match



Sprinkler Wrench

PART NUMBER	DESCRIPTION	BOX QTY
Datasheet No. 4.18		
RD020057P	1/2" CUP (conventional) brass sprinkler standard response (5mm bulb) K=80, 57 degrees	100
RD020068P	1/2" CUP (conventional) brass sprinkler standard response (5mm bulb) K=80, 68 degrees	100
RD020079P	1/2" CUP (conventional) brass sprinkler standard response (5mm bulb) K=80, 79 degrees	100
RD020093P	1/2" CUP (conventional) brass sprinkler standard response (5mm bulb) K=80, 93 degrees	100
RD020141P	1/2" CUP (conventional) brass sprinkler standard response (5mm bulb) K=80, 141 degrees	100
RD020057C	1/2" CUP (conventional) chrome sprinkler standard response (5mm bulb) K=80, 57 degrees	100
RD020068C	1/2" CUP (conventional) chrome sprinkler standard response (5mm bulb) K=80, 68 degrees	100
RD020079C	1/2" CUP (conventional) chrome sprinkler standard response (5mm bulb) K=80, 79 degrees	100
RD020093C	1/2" CUP (conventional) chrome sprinkler standard response (5mm bulb) K=80, 93 degrees	100
RD020141C	1/2" CUP (conventional) chrome sprinkler standard response (5mm bulb) K=80, 141 degrees	100
RD020057R9010	1/2" CUP (conventional) white sprinkler standard response (5mm bulb) K=80, 57 degrees	100
RD020068R9010	1/2" CUP (conventional) white sprinkler standard response (5mm bulb) K=80, 68 degrees	100
RD020079R9010	1/2" CUP (conventional) white sprinkler standard response (5mm bulb) K=80, 79 degrees	100
RD020093R9010	1/2" CUP (conventional) white sprinkler standard response (5mm bulb) K=80, 93 degrees	100
RD020141R9010	1/2" CUP (conventional) white sprinkler standard response (5mm bulb) K=80, 141 degrees	100





Cert LPCB/ ref. 566d/02



### MODEL: RD021



- CE, LPCB VdS approved
- Conventional (CUP)
- Brass, Chrome and paint finish
- Special RAL colours available on request
- Quick Response
- 3mm Bulb
- UK Manufactured



RAL Colour Match



Sprinkler Wrench

PART NUMBER	DESCRIPTION	BOX QTY
Datasheet No. 4.18		
RD021057P	½" CUP (conventional) brass sprinkler quick response (3mm bulb) K=80, 57 degrees	100
RD021068P	½" CUP (conventional) brass sprinkler quick response (3mm bulb) K=80, 68 degrees	100
RD021079P	½" CUP (conventional) brass sprinkler quick response (3mm bulb) K=80, 79 degrees	100
RD021093P	½" CUP (conventional) brass sprinkler quick response (3mm bulb) K=80, 93 degrees	100
RD021141P	½" CUP (conventional) brass sprinkler quick response (3mm bulb) K=80, 141 degrees	100
RD021057C	½" CUP (conventional) chrome sprinkler quick response (3mm bulb) K=80, 57 degrees	100
RD021068C	½" CUP (conventional) chrome sprinkler quick response (3mm bulb) K=80, 68 degrees	100
RD021079C	½" CUP (conventional) chrome sprinkler quick response (3mm bulb) K=80, 79 degrees	100
RD021093C	½" CUP (conventional) chrome sprinkler quick response (3mm bulb) K=80, 93 degrees	100
RD021141C	½" CUP (conventional) chrome sprinkler quick response (3mm bulb) K=80, 141 degrees	100
RD021057R9010	½" CUP (conventional) white sprinkler quick response (3mm bulb) K=80, 57 degrees	100
RD021068R9010	½" CUP (conventional) white sprinkler quick response (3mm bulb) K=80, 68 degrees	100
RD021079R9010	½" CUP (conventional) white sprinkler quick response (3mm bulb) K=80, 79 degrees	100
RD021093R9010	½" CUP (conventional) white sprinkler quick response (3mm bulb) K=80, 93 degrees	100
RD021141W	½" CUP (conventional) white sprinkler quick response (3mm bulb) K=80, 141 degrees	100

# Standard Response Sprinklers

## Upright - 15mm K80 (SSU)



Cert/LPCB/ ref. 566d/01



### MODEL: RD024

- CE, LPCB, UL, FM & VdS approved
- Upright (SSU)
- Brass, Chrome and paint finish
- Special RAL colours available on request
- Standard Response
- 5mm Bulb
- UK Manufactured



RAL Colour Match



Sprinkler Wrench

PART NUMBER	DESCRIPTION	BOX QTY
Datasheet No. 4.18		
RDM024057P	½" SSU (upright) brass sprinkler standard response (5mm bulb) K=80, 57 degrees	100
RDM024068P	½" SSU (upright) brass sprinkler standard response (5mm bulb) K=80, 68 degrees	100
RDM024079P	½" SSU (upright) brass sprinkler standard response (5mm bulb) K=80, 79 degrees	100
RDM024093P	½" SSU (upright) brass sprinkler standard response (5mm bulb) K=80, 93 degrees	100
RDM024141P	½" SSU (upright) brass sprinkler standard response (5mm bulb) K=80, 141 degrees	100
RDM024057C	½" SSU (upright) chrome sprinkler standard response (5mm bulb) K=80, 57 degrees	100
RDM024068C	½" SSU (upright) chrome sprinkler standard response (5mm bulb) K=80, 68 degrees	100
RDM024079C	½" SSU (upright) chrome sprinkler standard response (5mm bulb) K=80, 79 degrees	100
RDM024093C	½" SSU (upright) chrome sprinkler standard response (5mm bulb) K=80, 93 degrees	100
RDM024141C	½" SSU (upright) chrome sprinkler standard response (5mm bulb) K=80, 141 degrees	100
RDM024057R9010	½" SSU (upright) white sprinkler standard response (5mm bulb) K=80, 57 degrees	100
RDM024068R9010	½" SSU (upright) white sprinkler standard response (5mm bulb) K=80, 68 degrees	100
RDM024079R9010	½" SSU (upright) white sprinkler standard response (5mm bulb) K=80, 79 degrees	100
RDM024093R9010	½" SSU (upright) white sprinkler standard response (5mm bulb) K=80, 93 degrees	100
RDM024141R9010	½" SSU (upright) white sprinkler standard response (5mm bulb) K=80, 141 degrees	100



# Quick Response Sprinklers

## Upright - 15mm K80 (SSU)



Cert/LPCB/ ref. 566d/02



### MODEL: RD025



- CE, LPCB, UL, FM & VdS approved
- Upright (SSU)
- Brass, Chrome and paint finish
- Special RAL colours available on request
- Quick Response
- 3mm Bulb
- UK Manufactured



RAL Colour Match



Sprinkler Wrench

PART NUMBER	DESCRIPTION	BOX QTY
Datasheet No. 4.18		
RDM025057P	½" SSU (upright) brass sprinkler quick response (3mm bulb) K=80, 57 degrees	100
RDM025068P	½" SSU (upright) brass sprinkler quick response (3mm bulb) K=80, 68 degrees	100
RDM025079P	½" SSU (upright) brass sprinkler quick response (3mm bulb) K=80, 79 degrees	100
RDM025093P	½" SSU (upright) brass sprinkler quick response (3mm bulb) K=80, 93 degrees	100
RDM025141P	½" SSU (upright) brass sprinkler quick response (3mm bulb) K=80, 141 degrees	100
RDM025057C	½" SSU (upright) chrome sprinkler quick response (3mm bulb) K=80, 57 degrees	100
RDM025068C	½" SSU (upright) chrome sprinkler quick response (3mm bulb) K=80, 68 degrees	100
RDM025079C	½" SSU (upright) chrome sprinkler quick response (3mm bulb) K=80, 79 degrees	100
RDM025093C	½" SSU (upright) chrome sprinkler quick response (3mm bulb) K=80, 93 degrees	100
RDM025141C	½" SSU (upright) chrome sprinkler quick response (3mm bulb) K=80, 141 degrees	100
RDM025057R9010	½" SSU (upright) white sprinkler quick response (3mm bulb) K=80, 57 degrees	100
RDM025068R9010	½" SSU (upright) white sprinkler quick response (3mm bulb) K=80, 68 degrees	100
RDM025079R9010	½" SSU (upright) white sprinkler quick response (3mm bulb) K=80, 79 degrees	100
RDM025093R9010	½" SSU (upright) white sprinkler quick response (3mm bulb) K=80, 93 degrees	100
RDM025141R9010	½" SSU (upright) white sprinkler quick response (3mm bulb) K=80, 141 degrees	100



Cert/LPCB/ ref. 566d/01



### MODEL: RD042

- CE, LPCB, UL, FM & VdS approved
- Pendent (SSP)
- Brass, Chrome and paint finish
- Special RAL colours available on request
- Standard Response
- 5mm Bulb
- UK Manufactured



RAL Colour Match



Sprinkler Wrench

PART NUMBER	DESCRIPTION	BOX QTY
Datasheet No. 4.52		
RDM042057P	3/4" SSP (pendent) brass sprinkler standard response (5mm bulb) K=115, 57 degrees	100
RDM042068P	3/4" SSP (pendent) brass sprinkler standard response (5mm bulb) K=115, 68 degrees	100
RDM042079P	3/4" SSP (pendent) brass sprinkler standard response (5mm bulb) K=115, 79 degrees	100
RDM042093P	3/4" SSP (pendent) brass sprinkler standard response (5mm bulb) K=115, 93 degrees	100
RDM042141P	3/4" SSP (pendent) brass sprinkler standard response (5mm bulb) K=115, 141 degrees	100
RDM042057C	3/4" SSP (pendent) chrome sprinkler standard response (5mm bulb) K=115, 57 degrees	100
RDM042068C	3/4" SSP (pendent) chrome sprinkler standard response (5mm bulb) K=115, 68 degrees	100
RDM042079C	3/4" SSP (pendent) chrome sprinkler standard response (5mm bulb) K=115, 79 degrees	100
RDM042093C	3/4" SSP (pendent) chrome sprinkler standard response (5mm bulb) K=115, 93 degrees	100
RDM042141C	3/4" SSP (pendent) chrome sprinkler standard response (5mm bulb) K=115, 141 degrees	100
RDM042057R9010	3/4" SSP (pendent) white sprinkler standard response (5mm bulb) K=115, 57 degrees	100
RDM042068R9010	3/4" SSP (pendent) white sprinkler standard response (5mm bulb) K=115, 68 degrees	100
RDM042079R9010	3/4" SSP (pendent) white sprinkler standard response (5mm bulb) K=115, 79 degrees	100
RDM042093R9010	3/4" SSP (pendent) white sprinkler standard response (5mm bulb) K=115, 93 degrees	100
RDM042141R9010	3/4" SSP (pendent) white sprinkler standard response (5mm bulb) K=115, 141 degrees	100



Cert/LPCB/ ref. 566d/02



### MODEL: RD043

- CE, LPCB, UL, FM & VdS approved
- Pendent (SSP)
- Brass, Chrome and paint finish
- Special RAL colours available on request
- Quick Response
- 3mm Bulb
- UK Manufactured



RAL Colour Match



Sprinkler Wrench

PART NUMBER	DESCRIPTION	BOX QTY
Datasheet No. 4.52		
RDM043057P	¾" SSP (pendent) brass sprinkler quick response (3mm bulb) K=115, 57 degrees	100
RDM043068P	¾" SSP (pendent) brass sprinkler quick response (3mm bulb) K=115, 68 degrees	100
RDM043079P	¾" SSP (pendent) brass sprinkler quick response (3mm bulb) K=115, 79 degrees	100
RDM043093P	¾" SSP (pendent) brass sprinkler quick response (3mm bulb) K=115, 93 degrees	100
RDM043141P	¾" SSP (pendent) brass sprinkler quick response (3mm bulb) K=115, 141 degrees	100
RDM043057C	¾" SSP (pendent) chrome sprinkler quick response (3mm bulb) K=115, 57 degrees	100
RDM043068C	¾" SSP (pendent) chrome sprinkler quick response (3mm bulb) K=115, 68 degrees	100
RDM043079C	¾" SSP (pendent) chrome sprinkler quick response (3mm bulb) K=115, 79 degrees	100
RDM043093C	¾" SSP (pendent) chrome sprinkler quick response (3mm bulb) K=115, 93 degrees	100
RDM043141C	¾" SSP (pendent) chrome sprinkler quick response (3mm bulb) K=115, 141 degrees	100
RDM043057R9010	¾" SSP (pendent) white sprinkler quick response (3mm bulb) K=115, 57 degrees	100
RDM043068R9010	¾" SSP (pendent) white sprinkler quick response (3mm bulb) K=115, 68 degrees	100
RDM043079R9010	¾" SSP (pendent) white sprinkler quick response (3mm bulb) K=115, 79 degrees	100
RDM043093R9010	¾" SSP (pendent) white sprinkler quick response (3mm bulb) K=115, 93 degrees	100
RDM043141R9010	¾" SSP (pendent) white sprinkler quick response (3mm bulb) K=115, 141 degrees	100



Cert/LPCB/ ref. 566d/01



### MODEL: RD044

- CE, LPCB, UL, FM & VdS approved
- Upright (SSU)
- Brass, Chrome and paint finish
- Special RAL colours available on request
- Standard Response
- 5mm Bulb
- UK Manufactured



RAL Colour Match



Sprinkler Wrench

PART NUMBER	DESCRIPTION	BOX QTY
Datasheet No. 4.52		
RDM044057P	¾" SSU (upright) brass sprinkler standard response (5mm bulb) K=115, 57 degrees	100
RDM044068P	¾" SSU (upright) brass sprinkler standard response (5mm bulb) K=115, 68 degrees	100
RDM044079P	¾" SSU (upright) brass sprinkler standard response (5mm bulb) K=115, 79 degrees	100
RDM044093P	¾" SSU (upright) brass sprinkler standard response (5mm bulb) K=115, 93 degrees	100
RDM044141P	¾" SSU (upright) brass sprinkler standard response (5mm bulb) K=115, 141 degrees	100
RDM044057C	¾" SSU (upright) chrome sprinkler standard response (5mm bulb) K=115, 57 degrees	100
RDM044068C	¾" SSU (upright) chrome sprinkler standard response (5mm bulb) K=115, 68 degrees	100
RDM044079C	¾" SSU (upright) chrome sprinkler standard response (5mm bulb) K=115, 79 degrees	100
RDM044093C	¾" SSU (upright) chrome sprinkler standard response (5mm bulb) K=115, 93 degrees	100
RDM044141C	¾" SSU (upright) chrome sprinkler standard response (5mm bulb) K=115, 141 degrees	100
RDM044057R9010	¾" SSU (upright) white sprinkler standard response (5mm bulb) K=115, 57 degrees	100
RDM044068R9010	¾" SSU (upright) white sprinkler standard response (5mm bulb) K=115, 68 degrees	100
RDM044079R9010	¾" SSU (upright) white sprinkler standard response (5mm bulb) K=115, 79 degrees	100
RDM044093R9010	¾" SSU (upright) white sprinkler standard response (5mm bulb) K=115, 93 degrees	100
RDM044141R9010	¾" SSU (upright) white sprinkler standard response (5mm bulb) K=115, 141 degrees	100



# Quick Response Sprinklers

## Upright 20mm (K115) SSU



Cert/LPCB/ ref. 566d/02



### MODEL: RD045

- CE, LPCB, UL, FM & VdS approved
- Upright (SSU)
- Brass, Chrome and paint finish
- Special RAL colours available on request
- Quick Response
- 3mm Bulb
- UK Manufactured



RAL Colour Match



Sprinkler Wrench

PART NUMBER	DESCRIPTION	BOX QTY
Datasheet No. 4.52		
RDM045057P	¾" SSU (upright) brass sprinkler quick response (3mm bulb) K=115, 57 degrees	100
RDM045068P	¾" SSU (upright) brass sprinkler quick response (3mm bulb) K=115, 68 degrees	100
RDM045079P	¾" SSU (upright) brass sprinkler quick response (3mm bulb) K=115, 79 degrees	100
RDM045093P	¾" SSU (upright) brass sprinkler quick response (3mm bulb) K=115, 93 degrees	100
RDM045141P	¾" SSU (upright) brass sprinkler quick response (3mm bulb) K=115, 141 degrees	100
RDM045057C	¾" SSU (upright) chrome sprinkler quick response (3mm bulb) K=115, 57 degrees	100
RDM045068C	¾" SSU (upright) chrome sprinkler quick response (3mm bulb) K=115, 68 degrees	100
RDM045079C	¾" SSU (upright) chrome sprinkler quick response (3mm bulb) K=115, 79 degrees	100
RDM045093C	¾" SSU (upright) chrome sprinkler quick response (3mm bulb) K=115, 93 degrees	100
RDM045141C	¾" SSU (upright) chrome sprinkler quick response (3mm bulb) K=115, 141 degrees	100
RDM045057R9010	¾" SSU (upright) white sprinkler quick response (3mm bulb) K=115, 57 degrees	100
RDM045068R9010	¾" SSU (upright) white sprinkler quick response (3mm bulb) K=115, 68 degrees	100
RDM045079R9010	¾" SSU (upright) white sprinkler quick response (3mm bulb) K=115, 79 degrees	100
RDM045093R9010	¾" SSU (upright) white sprinkler quick response (3mm bulb) K=115, 93 degrees	100
RDM045141R9010	¾" SSU (upright) white sprinkler quick response (3mm bulb) K=115, 141 degrees	100



Cert/LPCB/ ref. 566d/01



### MODEL: RD060

- CE, LPCB, UL, FM & VdS approved
- Sidewall (HSW)
- Brass, Chrome and paint finish
- Special RAL colours available on request
- Standard Response
- 5mm Bulb
- UK Manufactured



RAL Colour Match



Sprinkler Wrench

PART NUMBER	DESCRIPTION	BOX QTY
Datasheet No. 4.53		
RDM060057P	½" HSW (Horizontal Side Wall) brass sprinkler standard response (5mm bulb) K=80, 57 degrees	100
RDM060068P	½" HSW (Horizontal Side Wall) brass sprinkler standard response (5mm bulb) K=80, 68 degrees	100
RDM060079P	½" HSW (Horizontal Side Wall) brass sprinkler standard response (5mm bulb) K=80, 79 degrees	100
RDM060093P	½" HSW (Horizontal Side Wall) brass sprinkler standard response (5mm bulb) K=80, 93 degrees	100
RDM060141P	½" HSW (Horizontal Side Wall) brass sprinkler standard response (5mm bulb) K=80, 141 degrees	100
RDM060057C	½" HSW (Horizontal Side Wall) chrome sprinkler standard response (5mm bulb) K=80, 57 degrees	100
RDM060068C	½" HSW (Horizontal Side Wall) chrome sprinkler standard response (5mm bulb) K=80, 68 degrees	100
RDM060079C	½" HSW (Horizontal Side Wall) chrome sprinkler standard response (5mm bulb) K=80, 79 degrees	100
RDM060093C	½" HSW (Horizontal Side Wall) chrome sprinkler standard response (5mm bulb) K=80, 93 degrees	100
RDM060141C	½" HSW (Horizontal Side Wall) chrome sprinkler standard response (5mm bulb) K=80, 141 degrees	100
RDM060057R9010	½" HSW (Horizontal Side Wall) white sprinkler standard response (5mm bulb) K=80, 57 degrees	100
RDM060068R9010	½" HSW (Horizontal Side Wall) white sprinkler standard response (5mm bulb) K=80, 68 degrees	100
RDM060079R9010	½" HSW (Horizontal Side Wall) white sprinkler standard response (5mm bulb) K=80, 79 degrees	100
RDM060093R9010	½" HSW (Horizontal Side Wall) white sprinkler standard response (5mm bulb) K=80, 93 degrees	100
RDM060141R9010	½" HSW (Horizontal Side Wall) white sprinkler standard response (5mm bulb) K=80, 141 degrees	100





# Quick Response Sprinklers Sidewall 15mm (K80) HS



Cert/LPCB/ ref. 566d/02



## MODEL: RD061

- CE, LPCB, UL, FM & VdS approved
- Sidewall (HSW)
- Brass, Chrome and paint finish
- Special RAL colours available on request
- Quick Response
- 3mm Bulb
- UK Manufactured



RAL Colour Match



Sprinkler Wrench

PART NUMBER	DESCRIPTION	BOX QTY
Datasheet No. 4.53		
RDM061057P	½" HSW (Horizontal Side Wall) brass sprinkler quick response (3mm bulb) K=80, 57 degrees	100
RDM061068P	½" HSW (Horizontal Side Wall) brass sprinkler quick response (3mm bulb) K=80, 68 degrees	100
RDM061079P	½" HSW (Horizontal Side Wall) brass sprinkler quick response (3mm bulb) K=80, 79 degrees	100
RDM061093P	½" HSW (Horizontal Side Wall) brass sprinkler quick response (3mm bulb) K=80, 93 degrees	100
RDM061141P	½" HSW (Horizontal Side Wall) brass sprinkler quick response (3mm bulb) K=80, 141 degrees	100
RDM061057C	½" HSW (Horizontal Side Wall) chrome sprinkler quick response (3mm bulb) K=80, 57 degrees	100
RDM061068C	½" HSW (Horizontal Side Wall) chrome sprinkler quick response (3mm bulb) K=80, 68 degrees	100
RDM061079C	½" HSW (Horizontal Side Wall) chrome sprinkler quick response (3mm bulb) K=80, 79 degrees	100
RDM061093C	½" HSW (Horizontal Side Wall) chrome sprinkler quick response (3mm bulb) K=80, 93 degrees	100
RDM061141C	½" HSW (Horizontal Side Wall) chrome sprinkler quick response (3mm bulb) K=80, 141 degrees	100
RDM061057R9010	½" HSW (Horizontal Side Wall) white sprinkler quick response (3mm bulb) K=80, 57 degrees	100
RDM061068R9010	½" HSW (Horizontal Side Wall) white sprinkler quick response (3mm bulb) K=80, 68 degrees	100
RDM061079R9010	½" HSW (Horizontal Side Wall) white sprinkler quick response (3mm bulb) K=80, 79 degrees	100
RDM061093R9010	½" HSW (Horizontal Side Wall) white sprinkler quick response (3mm bulb) K=80, 93 degrees	100
RDM061141R9010	½" HSW (Horizontal Side Wall) white sprinkler quick response (3mm bulb) K=80, 141 degrees	100



Cert/LPCB/ ref. 5661/01



## MODEL: RD107 (LPCB, CE) / RD105 (FM, UL)

- Concealed type.
- Quick & Standard response.
- Standard coverage K80 (5.6) 1/2" NPT.
- Compact Size, Lay flat 60mm cover plate the smallest approved concealed on the market.
- Standard White, Black & Chrome available from Stock.
- Optional RAL colour cover plates & wood grain finishes.
- Fusible Solder Link, No glass debris when activated.
- Protective cap with the ceiling label and tolerance Vertical height adjustment 9.5mm (3/8 inch).
- Cap removal tool, ensures the cap is pulled straight down.

PART NUMBER	DESCRIPTION	BOX QTY
Datasheet No. 4.20 (RD107) 4.19 (RD105)		
RD107CNEU162	RD107 commercial concealed sprinkler head complete with White RAL9010 cover plate, (LPCB, CE)	100
RDCNCOV140R9010	RD107 cover plate, white RAL9010 (60mm Diameter)	100
RD105CNPQR162	RD105 commercial concealed sprinkler head complete with White RAL9003 cover plate, (FM, UL)	100
RDCNCOV140R9003	RD105 cover plate, white RAL9003 (60mm Diameter)	100
RDSOCKETFQR	Installation socket for RD107 & RD105	1
RDCRT100/200	Cap removal tool for RD101, RD107, RD105	1



Cert/LPCB/ ref. 566e/01



### MODEL: RD101

- LPCB / CE Approved
- Flush pendent life safety sprinkler
- White, chrome plated & black finish
- Special RAL colours available on request

RAL Colour Match

Sprinkler Wrench

PART NUMBER	DESCRIPTION	BOX QTY
Datasheet No. 4.12		
RD101FQREU072W	RD101 Flush Pendent Sprinkler head c/w white RAL9003 escutcheon, (LPCB, CE)	100
RDESCFR9003	RD101 Escutcheon, white RAL9003	100
RD101FQREU072W2	RD101 Flush Pendent Sprinkler head c/w white RAL9010 escutcheon, (LPCB, CE)	100
RDESCFW9010	RD101 Escutcheon, white RAL9010	100
RD101FQREU072BK	RD101 Flush Pendent Sprinkler head c/w Black escutcheon, RAL9005, (LPCB, CE)	100
RDESCFR9005	RD101 Escutcheon, Black RAL9005	100
RD101FQREU072C	RD101 Flush Pendent Sprinkler head c/w Chrome escutcheon, (LPCB, CE)	100
RDESCFC	RD101 Escutcheon, Chrome	100
RDSOCKETFQR	Installation socket for RD101, RD107, RD105, RD205	1
RDCRT100/200	Cap removal tool for RD101, RD107, RD105, RD205	1



BS EN 12259-1 Cert No.5660/02



### MODEL: RD102

- LPCB / CE Approved
- Flush pendent life safety sprinkler
- White, chrome plated & black finish
- Special RAL colours available on request



RAL Colour Match



Sprinkler Wrench

PART NUMBER	DESCRIPTION	BOX QTY
Datasheet No. 4.27		
RD102FP5072R9003	RD102 Flush Pendent Sprinkler head c/w white RAL9003 escutcheon, (LPCB, CE)	100
RDESCFW9003	RD102 Escutcheon, white RAL9003	100
RD102FP5072R9005	RD102 Flush Pendent Sprinkler head c/w black RAL9005 escutcheon, (LPCB, CE)	100
RDESCFR9005	RD102 Escutcheon, black RAL9005	100
RD102FP5072C	RD102 Flush Pendent Sprinkler head c/w Chrome escutcheon, (LPCB, CE)	100
RDESCFC	RD102 Escutcheon, Chrome RAL9010	100
RDSOCKETFQR	Installation Socket for RD102	1

## General Description

The Rapidrop Model RD102 Flush Pendent Sprinklers are automatic sprinklers of the compressed fusible solder type.

The Model RD102 has a K80 (K5.6) K-factor and is designed for use in Commercial occupancies in wet pipe sprinkler systems as per BS EN 12845 or as required by the authority having jurisdiction.

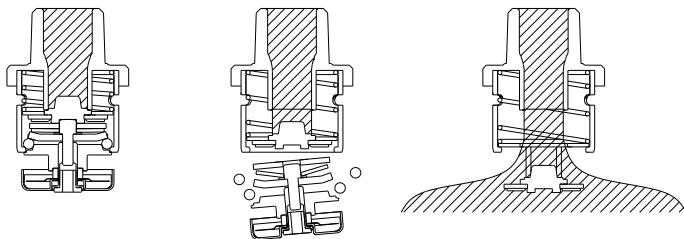
The Flush design of Model RD102 features a separable escutcheon providing 9.5 mm (3/8 inch) vertical adjustment which reduces the accuracy to which the fixed pipe drops to the sprinklers must be cut to help assure a perfect fit installation. They are decorative, low profile, flush mounted sprinklers with Frame and Cover of the sprinkler hiding the Deflector and Gasket assemblies (Reference Figure 1).

The Model RD102 has been designed with Quick response time rating and water distribution characteristics proven to help in the control of fires to improve the chance for occupants to escape or be evacuated.

When aesthetics is the major consideration, the Model RD102 should be your first choice.

## Operation

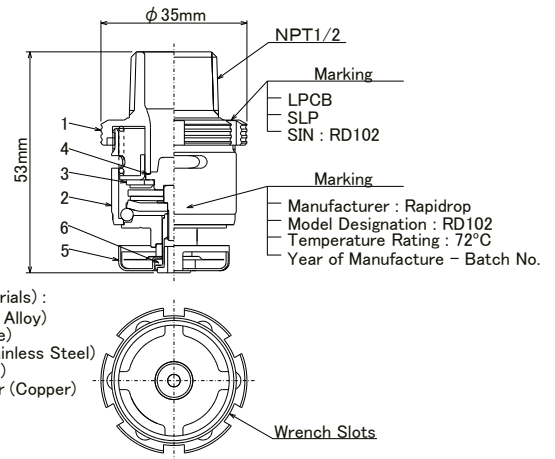
The Sprinkler assembly contains a small fusible solder element. When exposed to sufficient heat from a fire, the solder melts and enables the internal components of the sprinkler to fall away. At this point the sprinkler activates with the deflector dropping into its operated position (Reference Figure 2), permitting water to flow.



Normal Condition → Operation → Water Discharge

## Design Criteria

The Model RD102 Flush Pendent Sprinklers must only be installed and utilised in accordance with the following described criteria, which are provided by the manufacturer.



## Technical Data

Item	Description
Approvals	LPCB
E.C. Certificate of Conformity	0832-CPR-S0063
Sprinkler Identification Number (SIN)	RD102
Type	SLP (Spray, Flush, Pendent)
Maximum Working Pressure	12.1 bar (175 psi)
Discharge Coefficient	K=80 (5.6)
Temperature Rating	72°C/162°F
Vertical Adjustment	9.5mm (3/8 inch)
Finishes	White Paint Chrome Plate Other RAL colours on request



RAL Colour Match

Sprinkler Wrench

**MODEL: RD201, RD203, RD205, RD207, RD208**

- UL Listed
- Concealed type
- White and chrome plated finish
- Special RAL colours available on request
- BS EN 12845:2015 Compliant

PART NUMBER	DESCRIPTION	BOX QTY
Datasheet No. 4.16 (RD205), 4.26 (RD208), 4.24 (RD207), 4.14 (RD201), 4.15 (RD203)		
RD205CNRES162W	RD205 K4.9 (70.6) Residential Concealed Sprinkler c/w white cover plate, (UL)	100
RDCNCOV140R9003	RD205 cover plate, white RAL9003 (60mm diameter)	100
RDCNCOV140C	RD205 cover plate, chrome / black (60mm diameter)	10
RDSOCKETFQR	Installation socket for RD101, RD107, RD105, RD205	100
RD208CNRES162	RD208 K4.9 (70.6) Resi Concealed Sprinkler c/w 68mm OR 83mm white cover plate, (UL)	50
RDRESCV140R9003	RD208 cover plate, white RAL9003 (68mm diameter)	100
RDRESCV140R900383	RD208 cover plate, white RAL9003 (83mm diameter)	50
RD207CNRES162W	RD207 Low Flow K3.0 (43) Resi Concealed Sprinkler c/w 68mm OR 83mm white cover plate, (UL)	50
RDRESCV140R9003	RD207 cover plate, white RAL9003 (68mm diameter)	100
RDRESCV140R900383	RD207 cover plate, white RAL9003 (83mm diameter)	50
RDSOCKETFQR208	Sprinkler socket to suit RD208, RD207 sprinkler head	1
RD3002T016	3/8 square drive ratchet to suit sprinkler installation sockets	1
RD201ZNRES162W	RD201 K4.2 (60) Residential Flush Pendant c/w rosette	50
RDESC201R9003	Rosette to suit RD201, white RAL9003	50
RD203HFRES162W	RD203 K4.2 (60) Residential Flush Pendant side-wall c/w rosette	50
RDESC203R9003	Rosette to suit RD203, white RAL9003	50



## SPRINKLER ACCESSORIES

- Sprinkler spares cabinets
- Single escutcheons
- Two piece escutcheons
- Sprinkler guards
- Combined sprinkler guard and baffle plate
- Baffle plates

### PLEASE NOTE

Special RAL colours for escutcheons are available on request

PART NUMBER	DESCRIPTION	BOX QTY
Datasheet No. 4.01, 4.02, 4.04, 4.06, 4.09, 4.55, 4.56		
RDESC1/21PCR9010	1 piece rosette, White RAL9010	1
RDES1/21PCC	1 piece rosette, 1/2" , Chrome	1
RDES1/22PCW9010	2 piece rosette, 1/2" , White RAL9010	1
RDES1/22PCR9003	2 piece rosette, 1/2" , White RAL9003	1
RDES1/22PCC	2 piece rosette, 1/2" , Chrome	1
RDES2TW9010	2 piece rosette, White, threaded type	1
RDES3/41PCC	1 piece rosette 3/4" Chrome	1
RDES3/41PCW	1 piece rosette 3/4" White	1
RDES3/42PCC	2 piece rosette, 3/4" Chrome	1
RDES3/42PCW	2 piece rosette, 3/4" White	1
RDSPKSPANV2	Standard sprinkler Wrench to suit RD020, RD021, RD022, RD023, RD024, RD025, RD060 & RD061 sprinkler heads	1
RDSOCKETFQR	Sprinkler socket to suit RD101, RD102, RD105, RD107 & RD205 sprinkler heads	1
RDSOCKETHSW	Sprinkler socket to suit RD203 sprinkler head	1
RDSOCKETFQR208	Sprinkler socket to suit RD207, RD208 sprinkler head	1
RDCRT100/200	Cap removal tool for RD100 & RD200 range	1
RDBAFFLE08315SSP	Baffle Plate for 15mm sprinklers, 83mm diameter	1
RDBAFF8326	Baffle Plate for 20mm sprinklers, 83mm diameter	1
RDSPRGUARD82C	Combined sprinkler guard & baffle plate for SSU type 15mm sprinklers	1
RDSPRGUARD65C	Combined sprinkler guard & baffle plate for SSU type 15mm sprinklers	1
RDSPRGUARDC	Miniature sprinkler guard, 65mm, to suit 15mm and 20mm sprinklers	1
RDSPRGUARDCUK	Miniature sprinkler guard, 65mm, to suit 20mm sprinklers	1
RDCAB12	Sprinkler Spares Cabinet, 12 heads	1
RDCAB24	Sprinkler Spares Cabinet, 24 heads	1
RDCAB36	Sprinkler Spares Cabinet, 36 heads	1

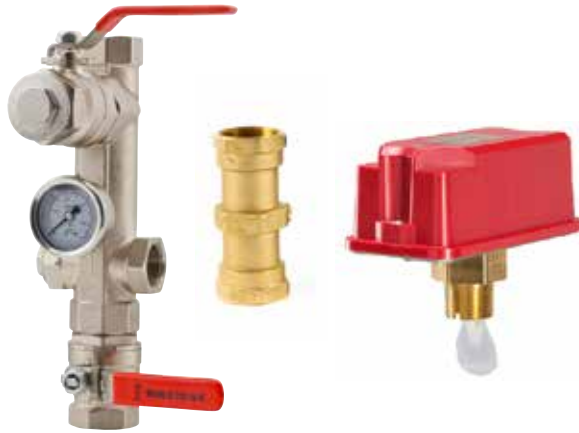


## SPRINKLER GUARD RDGD01 SPRINKLER SHIELDS RDBF01, RDBF02, RDBF03

- Rapidrop Sprinkler Guard encases the sprinkler to protect it from physical damage. Guards are recommended for sprinklers installed in areas exposed to high level of mechanical activities, e.g warehouse racks.
- Coating: Chrome Plate, Epoxy Powder Polyester - White
- Other RAL colours available on request
- FM Approved

PART NUMBER	DESCRIPTION	BOX QTY
Datasheet No. 4.54		
RDSPRGUARDCFM	Sprinkler Guard to suit RD022, RD023, RD042, RD043, RD044, RD045 sprinkler heads, (FM)	100
RDBAFFSSP015FM	Sprinkler Shield (Baffle) suitable to suit RD022, RD023 sprinkler heads, (FM)	100
RDBAFFSSP020FM	Sprinkler Shield (Baffle) suitable to suit RD042, RD043 sprinkler heads, (FM)	100
RDBAFFSSUFM	Sprinkler Shield (Baffle) suitable to suit RD044, RD045 sprinkler heads, (FM)	100





## RESIDENTIAL SPRINKLER SYSTEM EQUIPMENT

- Wras Approved Double Check Valve
- Light weight compact double check valves for class 3 contamination risks
- Residential and domestic alarm & test valve assembly
- Lockable handle
- 1" or 1 ¼" full bore test valve

PART NUMBER	DESCRIPTION	BOX QTY
Datasheet No. 1.55, 7.06, 7.08		
RDDCV25WRAS	1" (25mm) WRAS approved double check valve	1
RDDCV32WRAS	1 ¼" (32mm) WRAS approved double check valve	1
RDDCV40WRAS	1 ½" (40mm) WRAS approved double check valve	1
RDRESIVALVESET25DP	1" (25mm) Dual Port, Residential valve set c/w locking ball valve & pressure gauge	1
RDRESIVALVESET32DP	1 ¼" (32mm) Dual Port, Residential valve set c/w locking ball valve & pressure gauge	1
RDRESIVALVESET40DP	1 ½" (40mm) Dual Port, Residential valve set c/w locking ball valve & pressure gauge	1
RDWFDT	Residential Flow Switch (System Sensor c/w timer delay)	1
DRS021G	Residential Flow Switch (Compact unit, no timer delay) complete with paddles to suit 25mm, 32mm and 40mm valve sets	1
RDPAD40	Paddle for DRS012G to suit 40mm resi valve set	1
RD4236-010NPT	1" CPVC adaptor (male)	1
RD4236-012	1 ¼" CPVC adaptor (male)	1
RD4236-015NPT	1 ½" CPVC adaptor (male)	1
N/A	1" Monitored Residential Alarm & Test Valve Assembly	1
N/A	1 ¼" Monitored Residential Alarm & Test Valve Assembly	1
N/A	1 ½" Monitored Residential Alarm & Test Valve Assembly	1



Cert/LPCB/ ref. 566b/01-03  
Cert/LPCB/ ref. 566c/01



## MODEL B, D, E

- CE, LPCB, UL, FM
- Available in sizes 80mm up to 200 mm
- Flanged or grooved connections
- Pre trimmed to FM or LPCB specification
- Alarm gongs
- Optional retard chamber
- Assembled in Rapidrop UK workshop
- Please note pressure switches for alarm valves are sold separately (LPCB = RDPS1381, FM = RDEPS10-2)

PART NUMBER	DESCRIPTION	BOX QTY
Datasheet No. 5.01, 5.02, 5.03		
RDAVB114AL	4" Wet alarm valve, Model E, groove / groove c/w LPCB trim	1
RDAVB165AL	6" Wet alarm valve, Model E, groove / groove c/w LPCB trim (UK market 165mm o/d)	1
RDAVB168AL	6" Wet alarm valve, Model E, groove / groove c/w LPCB trim (European market, 168mm o/d)	1
RDAVB080AL	3" Wet alarm valve, Model B, PN16 flanged c/w LPCB trim	1
RDAVB100AL	4" Wet alarm valve, Model B, PN16 flanged c/w LPCB trim	1
RDAVB150AL	6" Wet alarm valve, Model B, PN16 flanged c/w LPCB trim	1
RDAVB200AL	8" Wet alarm valve, Model B, PN16 flanged c/w LPCB trim	1
RDAVB114AF	4" Wet alarm valve, Model E, groove / groove c/w FM trim	1
RDAVB165AF	6" Wet alarm valve, Model E, groove / groove c/w FM trim (UK market 165mm o/d)	1
RDAVB168AF	6" Wet alarm valve, Model E, groove / groove c/w FM trim (European market, 168mm o/d)	1
RDAVB080AF	3" Wet alarm valve, Model B, PN16 flanged c/w FM trim	1
RDAVB100AF	4" Wet alarm valve, Model B, PN16 flanged c/w FM trim	1
RDAVB150AF	6" Wet alarm valve, Model B, PN16 flanged c/w FM trim	1
RDAVB200AF	8" Wet alarm valve, Model B, PN16 flanged c/w FM trim	1
RDAVB114FGAF	4" Wet alarm valve, Model D, PN16 flanged / grooved c/w FM trim	1
RDAVB168FGAF	6" Wet alarm valve, Model D, PN16 flanged / grooved c/w FM trim (european market, 168mm o/d)	1
RDAVB219FGAF	4" Wet alarm valve, Model D, PN16 flanged / grooved c/w FM trim	1



Cert/LPCB/ ref. 566b/01-03  
Cert/LPCB/ ref. 566c/01



## WET ALARM VALVE ACCESSORIES

- Wet alarm valve servicing kit
- Alarm Gong
- Retard chamber
- Pressure switches and pressure gauges

PART NUMBER	DESCRIPTION	BOX QTY
Datasheet No. 2.03, 2.04, 5.04, 5.09, 5.13, 6.01		
RDAVB080GASKIT	3" wet alarm valve servicing kit. (Kit includes; Face Cover Gasket, Clapper Rubber Gasket and Sealing Ring)	1
RDAVB100GASKIT	4" wet alarm valve servicing kit. (Kit includes; Face Cover Gasket, Clapper Rubber Gasket and Sealing Ring)	1
RDAVB150GASKIT	6" wet alarm valve servicing kit. (Kit includes; Face Cover Gasket, Clapper Rubber Gasket and Sealing Ring)	1
RDAVB200GASKIT	8" wet alarm valve servicing kit. (Kit includes; Face Cover Gasket, Clapper Rubber Gasket and Sealing Ring)	1
RDRETARDMODE	Retard Chamber, (FM, UL, LPCB, CE)	1
RDWMGE	Water motor alarm gong, (FM, UL, LPCB, CE)	1
RDGS36	Extended alarm gong spindle, 36" (900mm approx)	1
RDPS1381	1381 Pressure switch, fixed differential 0.7/14 bar, LPCB approved	1
RDPS3181V	1381 Variable Pressure switch, LPCB approved	1
RDEPS10-2	EPS10-2 Pressure Switch, (FM, UL, VdS)	1
RDEPS40-2	EPS40-2 Pressure switch, (FM, UL, VdS)	1
RDPRESSGAUGE16	0 - 16 bar Glycerin filled pressure Gauge, 100 mm diameter, 3/8" connection	1
RDPRESSGAUGE12	-1 to +2 bar Glycerin filled pressure Gauge, 100 mm diameter, 3/8" connection (compound)	1
RDPRESSGAUGE25SS	0 - 25 bar Glycerin filled pressure Gauge, 100 mm diameter, 3/8" connection (Single Scale)	1
RDPRESSGAUGE40	0 - 40 bar Glycerin filled pressure Gauge, 100 mm diameter, 3/8" connection	1
RDPRESSGAUGE40SS	0 - 40 bar Glycerin filled pressure Gauge, 100 mm diameter, 3/8" connection (Single Scale)	1



## RD203 & RD204

- APSAD Approved
- Grooved and Wafer type
- Working pressure 20 Bar
- Gearbox operated with factory installed tamper switches
- 1 meter flying lead
- Can be monitored either closed or open

PART NUMBER	DESCRIPTION	BOX QTY
Datasheet No. 1.27, 1.28		
RD204-050APSAD	2" (50mm) Butterfly valve, grooved c/w switch,	1
RD204-076APSAD	2 ½" (65mm) Butterfly valve, grooved c/w switch	1
RD204-080APSAD	3" (80mm) Butterfly valve, grooved c/w switch	1
RD204-100APSAD	4" (100mm) Butterfly valve, grooved c/w switch	1
RD204-150APSAD	6" (150mm) Butterfly valve, grooved c/w switch (165.1mm o/d UK market)	1
RD204-168APSAD	6" (168mm) Butterfly valve, grooved c/w switch (168mm o/d European market)	1
RD204-200APSAD	8" (200mm) Butterfly valve grooved c/w switch	1
RD204-250APSAD	10" (250mm) Butterfly valve grooved c/w switch	1
RD204-300APSAD	12" (300mm) Butterfly valve grooved c/w switch	1
RD203-050APSAD	2" (50mm) Butterfly valve, wafer type c/w switch	1
RD203-065APSAD	2 ½" (65mm) Butterfly valve, wafer type c/w switch	1
RD203-080APSAD	3" (80mm) Butterfly valve, wafer type c/w switch	1
RD203-100APSAD	4" (100mm) Butterfly valve, wafer type c/w switch	1
RD203-150APSAD	6" (150mm) Butterfly valve, wafer type c/w switch	1
RD203-200APSAD	8" (200mm) Butterfly valve wafer type c/w switch	1
RD203-250APSAD	10" (250mm) Butterfly valve wafer type c/w switch	1
RD203-300APSAD	12" (300mm) Butterfly valve wafer type c/w switch	1



## RD220 & RD221

- UL, FM,
- Grooved and Wafer type
- Working pressure 20 Bar
- Gearbox operated with factory installed tamper switches
- 1 meter flying lead

PART NUMBER	DESCRIPTION	BOX QTY
Datasheet No. 1.53, 1.54		
RD221-065	2 ½" (65mm) Butterfly valve, grooved c/w switch (76mm o/d) 20 bar rated (FM, UL)	1
RD221-080	3" (80mm) Butterfly valve, grooved c/w switch (88.9mm o/d) 20 bar rated (FM, UL)	1
RD221-100	4" (100mm) Butterfly valve, grooved c/w switch (114.3mm o/d) 20 bar rated (FM, UL)	1
RD221-150	6" (150mm) Butterfly valve, grooved c/w switch (165.1mm o/d UK market) 20 bar rated (FM, UL)	1
RD221-168	6" (168mm) Butterfly valve, grooved c/w switch (168mm o/d european market) 20 bar rated (FM, UL)	1
RD221-200	8" (200mm) Butterfly valve, grooved c/w switch (219.1mm o/d) 20 bar rated (FM, UL)	1
RD221-250	10" (250mm) Butterfly valve, grooved c/w switch (273mm o/d) 20 bar rated (UL)	1
RD221-300	12" (300mm) Butterfly valve, grooved c/w switch (323.9mm o/d) 20 bar rated (UL)	1
RD220-065	2 ½" (65mm) Butterfly valve, wafer type, c/w switch, 20 bar rated (FM, UL)	1
RD220-080	3" (80mm) Butterfly valve, wafer type, c/w switch 20 bar rated (FM, UL)	1
RD220-100	4" (100mm) Butterfly valve, wafer type, c/w switch 20 bar rated (FM, UL)	1
RD220-150	6" (150mm) Butterfly valve, wafer type, c/w switch 20 bar rated (FM, UL)	1
RD220-200	8" (200mm) Butterfly valve, wafer type, c/w switch 20 bar rated (FM, UL)	1
RD220-250	10" (250mm) Butterfly valve, wafer type, c/w switch 20 bar rated (UL)	1
RD220-300	12" (300mm) Butterfly valve, wafer type, c/w switch 20 bar rated (UL)	1



## RD215 & RD216

- FM, UL, VdS
- Grooved and Wafer type
- Working pressure 20 Bar
- Gearbox operated with factory installed tamper switches
- 1 meter flying lead

PART NUMBER	DESCRIPTION	BOX QTY
Datasheet No. 1.63 & 1.64		
RD216-050FL	2" (50mm) Butterfly valve, grooved c/w switch (76mm o/d) 20 bar rated (FM, UL, VdS)	1
RD216-065FL	2 1/2" (65mm) Butterfly valve, grooved c/w switch (76mm o/d) 20 bar rated (FM, UL, VdS)	1
RD216-080FL	3" (80mm) Butterfly valve, grooved c/w switch (88.9mm o/d) 20 bar rated (FM, UL, VdS)	1
RD216-100FL	4" (100mm) Butterfly valve, grooved c/w switch (114.3mm o/d) 20 bar rated (FM, UL, VdS)	1
RD216-150FL	6" (150mm) Butterfly valve, grooved c/w switch (165.1mm o/d UK market) 20 bar rated (FM, UL, VdS)	1
RD216-168FL	6" (168mm) Butterfly valve, grooved c/w switch (168mm o/d european market) 20 bar rated (FM, UL, VdS)	1
RD216-200FL	8" (200mm) Butterfly valve, grooved c/w switch (219.1mm o/d) 20 bar rated (FM, UL, VdS)	1
RD216-250FL	10" (250mm) Butterfly valve, grooved c/w switch (273mm o/d) 20 bar rated (FM, VdS)	1
RD216-300FL	12" (300mm) Butterfly valve, grooved c/w switch (323.9mm o/d) 20 bar rated (FM, VdS)	1
RD215-050FL	2" (50mm) Butterfly valve, wafer type, c/w switch 20 bar rated (FM, UL, VdS)	1
RD215-065FL	2 1/2" (65mm) Butterfly valve, wafer type, c/w switch 20 bar rated (FM, UL, VdS)	1
RD215-080FL	3" (80mm) Butterfly valve, wafer type, c/w switch 20 bar rated (FM, UL, VdS)	1
RD215-100FL	4" (100mm) Butterfly valve, wafer type, c/w switch 20 bar rated (FM, UL, VdS)	1
RD215-150FL	6" (150mm) Butterfly valve, wafer type, c/w switch 20 bar rated (FM, UL, VdS)	1
RD215-200FL	8" (200mm) Butterfly valve, wafer type, c/w switch 20 bar rated (FM, UL, VdS)	1
RD215-250FL	10" (250mm) Butterfly valve, wafer type, c/w switch 20 bar rated (FM, VdS)	1
RD215-300FL	12" (300mm) Butterfly valve, wafer type, c/w switch 20 bar rated (FM, VdS)	1



## RD202

- FM, UL,
- Threaded type
- Working pressure 12 Bar
- Gearbox operated with factory installed tamper switches

PART NUMBER	DESCRIPTION	BOX QTY
Datasheet No. 1.62		
RD202-025	1" (25mm) Monitored Butterfly Valve (FM, UL)	1
RD202-032	1 ¼" (32mm) Monitored Butterfly Valve (FM, UL)	1
RD202-040	1 ½" (40mm) Monitored Butterfly Valve (FM, UL)	1
RD202-050	2" (50mm) Monitored Butterfly Valve (FM, UL)	1



## 117FF (FLANGE PN16)

- NRS Gate Valve
- FM, UL, VdS Approved
- Conforms to AWWA C509
- Non shock working pressure:  
20.7 bar / 300 psi (sizes 2 ½" up to 10")
- Non shock working pressure:  
17.2 bar / 250 psi (sizes 12")
- Ductile iron body

PART NUMBER	DESCRIPTION	BOX QTY
Datasheet No. 1.59		
RD117FF050	2" (50mm) NRS Gate Valve, PN16 flanged, model 104, 20 bar rated, (FM, UL, VdS)	1
RD117FF065	2 ½" (65mm) NRS Post Ind Valve, PN16 flanged, model 104, 20 bar rated, (FM, UL, VdS)	1
RD117FF080	3" (80mm) NRS Gate Valve, PN16 flanged, model 104, 20 bar rated, (FM, UL, VdS)	1
RD117FF100	4" (100mm) NRS Post Ind Valve, PN16 flanged, model 104, 20 bar rated, (FM, UL, VdS)	1
RD117FF150	6" (150mm) NRS Gate Valve, PN16 flanged, model 104, 20 bar rated, (FM, UL, VdS)	1
RD117FF200	8" (200mm) NRS Gate Valve, PN16 flanged, model 104, 20 bar rated, (FM, UL, VdS)	1
RD117FF250	10" (250mm) NRS Post Ind Valve, PN16 flanged, model 104, 20 bar rated, (FM, UL, VdS)	1
RD117FF300	12" (300mm) NRS Gate Valve, PN16 flanged, model 104, 16 bar rated, (FM, UL, VdS)	1
RDGVLSKIT117	Monitor switch kit to suit RD117 gate valves	1





## 112 (FLANGE PN16)

- Hand wheel operated non-rising stem BS5163
- BS 5163 Type A, BS EN 1074
- Open / Shut position Indicator
- Face to face dimension in accordance with BS5163
- Flange drilling in accordance with BS EN 1092 PN16 raised face
- Fitted anti tamper switch
- Please note: if no stock or pre-assembled gate and switch (5 on then end). Then check for code without 5

PART NUMBER	DESCRIPTION	BOX QTY
Datasheet No 1.69, 2.11		
RD112FF050S	2" BS5163 gate valve, PN16 Flange, 16 bar rated, c/w monitor switch	1
RD112FF065S	2 ½" BS5163 gate valve, PN16 Flange, 16 bar rated, c/w monitor switch	1
RD112FF080S	3" BS5163 gate valve, PN16 Flange, 16 bar rated, c/w monitor switch	1
RD112FF100S	4" BS5163 gate valve, PN16 Flange, 16 bar rated, c/w monitor switch	1
RD112FF150S	6" BS5163 gate valve, PN16 Flange, 16 bar rated, c/w monitor switch	1
RD112FF200S	8" BS5163 gate valve, PN16 Flange, 16 bar rated, c/w monitor switch	1
RD112FF250S	10" BS5163 gate valve, PN16 Flange, 16 bar rated, c/w monitor switch	1
RD112FF300S	12" BS5163 gate valve, PN16 Flange, 16 bar rated, c/w monitor switch	1
RD112FF350S	14" BS5163 gate valve, PN16 Flange, 16 bar rated, c/w monitor switch	1
RD112FF400S	16" BS5163 gate valve, PN16 Flange, 16 bar rated, c/w monitor switch	1
RD112FF450S	18" BS5163 gate valve, PN16 Flange, 16 bar rated, c/w monitor switch	1
RD112FF500S	20" BS5163 gate valve, PN16 Flange, 16 bar rated, c/w monitor switch	1
RDBIGGYR112	Monitor switch kit to suit RD112	1
RDGVLKIT400	Limit Switch for Gate Valves 16"	1



## FLANGE JOINT SETS & GASKETS

- Flange joint sets to suit RD112 Gate Valves

### PLEASE NOTE

Two Flange Joint Sets are required for one RD112 Gate Valve (one set per Flange)



PART NUMBER	DESCRIPTION	BOX QTY
Datasheet No. N/A		
RDFJS050	50mm flange joint set PN16 (set includes gasket, nuts, bolts & washers to suit RD112 Gate Valve)	1
RDFJS065	65mm flange joint set PN16 (set includes gasket, nuts, bolts & washers to suit RD112 Gate Valve)	1
RDFJS080	80mm flange joint set PN16 (set includes gasket, nuts, bolts & washers to suit RD112 Gate Valve)	1
RDFJS100	100mm flange joint set PN16 (set includes gasket, nuts, bolts & washers to suit RD112 Gate Valve)	1
RDFJS125	125mm flange joint set PN16 (set includes gasket, nuts, bolts & washers to suit RD112 Gate Valve)	1
RDFJS150	150mm flange joint set PN16 (set includes gasket, nuts, bolts & washers to suit RD112 Gate Valve)	1
RDFJS200	200mm flange joint set PN16 (set includes gasket, nuts, bolts & washers to suit RD112 Gate Valve)	1
RDFJS250	250mm flange joint set PN16 (set includes gasket, nuts, bolts & washers to suit RD112 Gate Valve)	1
RDFJS300	300mm flange joint set PN16 (set includes gasket, nuts, bolts & washers to suit RD112 Gate Valve)	1
RDFJS350	350mm flange joint set PN16 (set includes gasket, nuts, bolts & washers to suit RD112 Gate Valve)	1
RDFJS400	400mm flange joint set PN16 (set includes gasket, nuts, bolts & washers to suit RD112 Gate Valve)	1



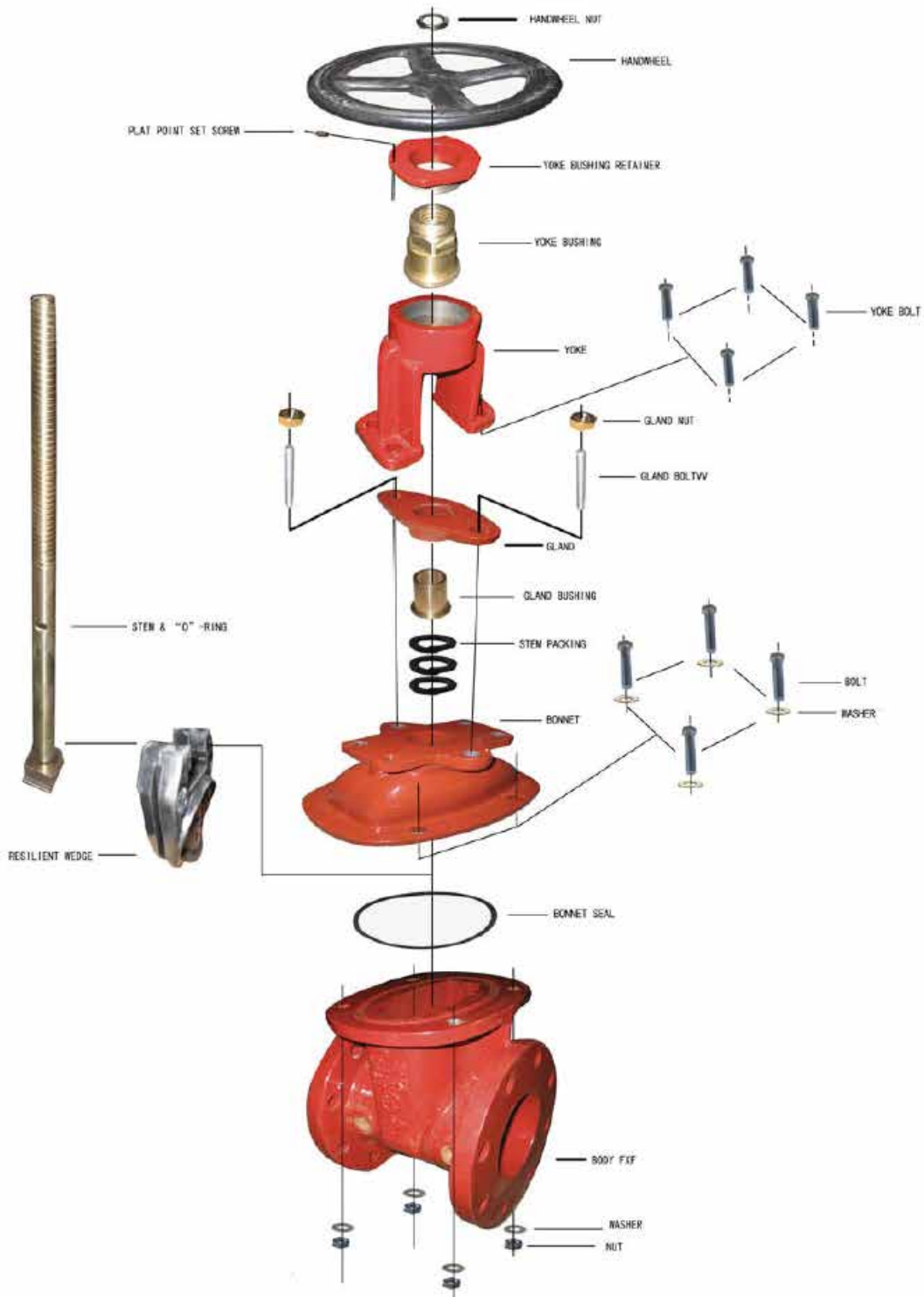
## 103FF (FLANGE PN16) & 103GG (GROOVED)

- OS&Y Resilient Wedge Gate Valve
- UL/FM Approved
- Conforms to AWWA C509
- Non shock working pressure:  
20.7 bar / 300 psi (sizes 2 ½" up to 10")
- Non shock working pressure:  
17.2 bar / 250 psi (sizes 12")
- Ductile iron body

### PLEASE NOTE

RD103 are also available in flange / groove option.  
ANSI gate valves have the same prefix but end in A - prices remain the same.

PART NUMBER	DESCRIPTION	BOX QTY
Datasheet No. 1.09, 1.19		
RD103FF065	2 ½" (65mm) OS&Y Gate Valve, PN16 flanged model 103, 20 bar rated, (FM, UL)	1
RD103FF080	3" (80mm) OS&Y Gate Valve, PN16 flanged, model 103, 20 bar rated, (FM, UL)	1
RD103FFRD100	4" (100mm) OS&Y Gate Valve, PN16 flanged, model 103, 20 bar rated, (FM, UL)	1
RD103FF150	6" (150mm) OS&Y Gate Valve, PN16 flanged, model 103, 20 bar rated, (FM, UL)	1
RD103FF200	8" (200mm) OS&Y Gate Valve, PN16 flanged, model 103, 20 bar rated, (FM, UL)	1
RD103FF250	10" (250mm) OS&Y Gate Valve, PN16 flanged, model 103, 20 bar rated, (FM, UL)	1
RD103FF300	12" (300mm) OS&Y Gate Valve, PN16 flanged, model 103, 6 bar rated, (FM, UL)	1
RD103FF350	14" (350mm) OS&Y Gate Valve, PN16 flanged, model 103, 16 bar rated, (FM, UL)	1
RD103FF400	16" (400mm) OS&Y Gate Valve, PN16 flanged, model 103, 16 bar rated, (FM, UL)	1
RD103GG065	2 ½" (65mm) OS&Y Gate Valve, grooved, model 103, 20 bar rated, (FM, UL)	1
RD103GG080	3" (80mm) OS&Y Gate Valve, grooved, model 103, 20 bar rated, (FM, UL)	1
RD103GGRD100	4" (100mm) OS&Y Gate Valve, grooved, model 103, 20 bar rated, (FM, UL)	1
RD103GG150	6" (150mm) OS&Y Gate Valve, grooved, model 103, 20 bar rated, (FM, UL)	1
RD103GG168	6" (168mm) OS&Y Gate Valve, grooved, model 103, 20 bar rated, (FM, UL) (European market)	1
RD103GG200	8" (200mm) OS&Y Gate Valve, grooved, model 103, 20 bar rated, (FM, UL)	1
RD103GG250	10" (250mm) OS&Y Gate Valve, grooved, model 103, 20 bar rated, (FM, UL)	1
RD103GG300	12" (300mm) OS&Y Gate Valve, grooved, model 103, 16 bar rated, (FM, UL)	1
RD103GG350	14" (350mm) OS&Y Gate Valve, grooved, model 103, 16 bar rated, (FM, UL)	1
RD103GG400	16" (400mm) OS&Y Gate Valve, grooved, model 103, 16 bar rated, (FM, UL)	1
RDOSY2	Switch to suit OS&Y Gate Valves	1



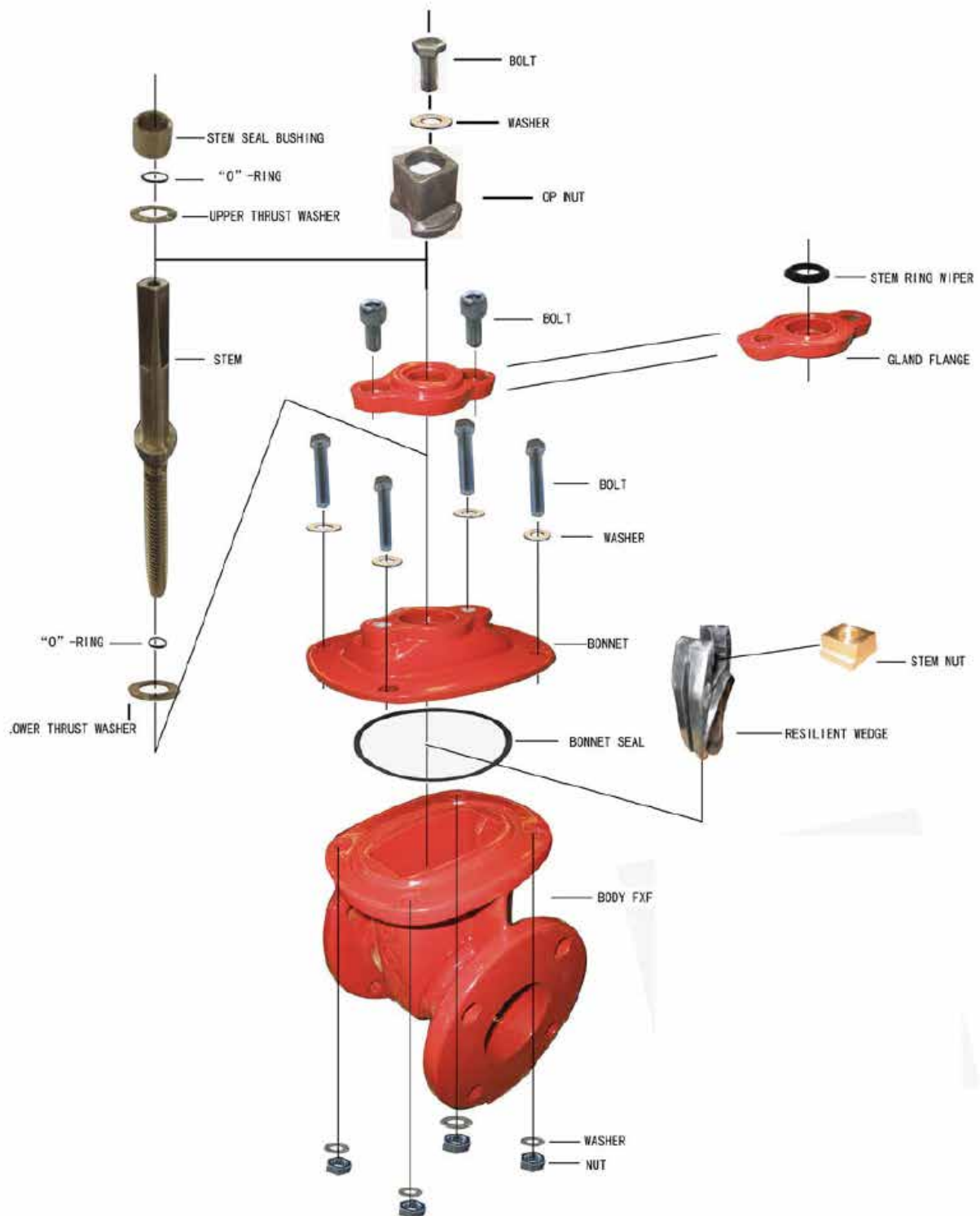


### PIV 104FF NRS GATE VALVES

- FM Approved and UL Listed
- Conforms to AWWA C509
- Non stick cold working pressure:  
20.7 bar / 300 psi (sizes 2 1/2" to 10")
- Non shock cold working pressure:  
17.2 bar / 250 psi (sizes 12" to 16")
- Ductile iron body
- To be used with Model 101 vertical post indicator or Model 102 wall post indicator

**PLEASE NOTE**  
ANSI gate valves have the same prefix but end in A - prices remain the same

PART NUMBER	DESCRIPTION	BOX QTY
Datasheet No. 1.12, 1.13, 1.14, 2.12		
RD104FF065	2 1/2" (65mm) NRS Post Ind Valve, PN16 flanged, model 104, 20 bar rated, (FM, UL)	1
RD104FF080	3" (80mm) NRS Post Ind Valve, PN16 flanged, model 104, 20 bar rated, (FM, UL)	1
RD104FFRD100	4" (100mm) NRS Post Ind Valve, PN16 flanged, model 104, 20 bar rated, (FM, UL)	1
RD104FF150	6" (150mm) NRS Post Ind Valve, PN16 flanged, model 104, 20 bar rated, (FM, UL)	1
RD104FF200	8" (200mm) NRS Post Ind Valve, PN16 flanged, model 104, 20 bar rated, (FM, UL)	1
RD104FF250	10" (250mm) NRS Post Ind Valve, PN16 flanged, model 104, 20 bar rated, (FM, UL)	1
RD104FF300	12" (300mm) NRS Post Ind Valve, PN16 flanged, model 104, 16 bar rated, (FM, UL)	1
RD104FF350	14" (350mm) NRS Post Ind Valve, PN16 flanged, model 104, 16 bar rated, (FM, UL)	1
RD104FF400	16" (400mm) NRS Post Ind Valve, PN16 flanged, model 104, 16 bar rated, (FM, UL)	1
RDPOSTIND	Vertical Post Indicator Model 101	1
RDFPOSTWALL	Wall Post Indicator Model 102	1
RDPIBV2	Switch to suit monitoring switch for PIV Gate Vale	1





Cert/LPCB/ ref. 1357h/01  
 Cert/LPCB/ ref. 1357h/02  
 Cert/LPCB/ ref. 1357g  
 Cert/LPCB/ ref. 085a/01



## SWITCHES & GAUGES

- Flow switches CE, LPCB, UL, FM, VdS
- Pressure Switch FM approved
- Pressure Switch LPCB approved
- OSY Gate Valve limit switch
- BS5163 gate valve limit switch



PART NUMBER	DESCRIPTION	BOX QTY
Datasheet No. 2.03, 2.04, 2.07, 2.09		
RDWFD20EN	2" (50mm) System Sensor water flow detector (flow switch) (FM,UL,VdS,LPCB)	1
RDWFD25EN	2 ½" (65mm) System Sensor water flow detector (flow switch) (FM,UL,VdS,LPCB)	1
RDWFD30EN	3" (80mm) System Sensor water flow detector (flow switch) (FM,UL,VdS,LPCB)	1
RDWFD40EN	4" (100mm) System Sensor water flow detector (flow switch) (FM,UL,VdS,LPCB)	1
RDWFD50EN	5" (125mm) System Sensor water flow detector (flow switch) (FM,UL)	1
RDWFD60EN	6" (150mm) System Sensor water flow detector (flow switch) (FM,UL,VdS,LPCB)	1
RDWFD80EN	8" (200mm) System Sensor water flow detector (flow switch) (FM,UL,VdS,LPCB)	1
RDWFDT	1", 1 ¼", 1 ½" Flow Switch (residential sprinkler systems) (FM, UL)	1
RDOSY2	Supervisory Switch for OS&Y Gate valve (FM, UL)	1
RDPIBV2	Supervisory Switch for PIV (FM, UL)	1
RDPS1	Supervisory Switch for handwheel operated valve (FM, UL)	1
RDPS1381	1381 Pressure switch, fixed differential 0.7 -14 bar, (Bailey Mackey) (LPCB)	1
RDPS138128	1381 Pressure switch, fixed differential 2 - 28 bar, (Bailey Mackey) (LPCB)	1
RDPS138142	1381 Pressure switch, fixed differential 2 - 42 bar, (Bailey Mackey)	1
RDPS1381V	1381V 14 Bar Variable pressure switch (Bailey Mackey)	1
RDPS138128V	1381V 28 Bar Variable pressure switch (Bailey Mackey)	1
RDPS138142V	1381V 42 Bar Variable pressure switch (Bailey Mackey)	1
RDEPS10-2	EPS 10-2 Pressure Switch (double SPDT switches) (FM, UL, VdS)	1
RDEPS40-2	EPS 40-2 Pressure Switch (double SPDT switches) (FM, UL, VdS)	1
RDPRESSGAUDEFM	Dry Pressure Gauge, (FM)	1
RDPRESSGAUGE16	0 - 16 Glycerin filled Bar Pressure Gauge	1
RDPRESSGAUGE12	-1 to +2 bar Glycerin filled pressure Gauge, 100 mm diameter, 3/8" connection	1
RDPRESSGAUGE25	0 - 25 Bar Glycerin filled pressure gauge	1
RDPRESSGAUGE25SS	0 - 25 Bar Glycerin filled pressure gauge, single scale	1
RDPRESSGAUGE40	0 - 40 Bar Glycerin filled pressure gauge	1
RDLOSSCON	No Loss connector to suit 40 bar gauges	1



## A61 NPT TEST & DRAIN VALVES

- FM approved, UL Listed
- Female NPT Thread
- Nominal pressure rated to 20.6 bar (300 PSI)
- Working temperature range of -10 / +120°C (14 / 250°F)
- Approval: UL Listed & FM Approved
- Available in 1", 1 ¼", 1 ½" and 2" pipe size connections
- Standard thread connection: NPT
- K Factors K80 (K5.6) to K360 (K25)
- Brass body with three position ball valve OFF / TEST / DRAIN
- Integral sight glass with acrylic see through windows

PART NUMBER	DESCRIPTION	BOX QTY
Datasheet No. 7.03		
RDA61Y001	1" (25mm) A61 Test & Drain Valve, 3/8" test orifice (K40 / K2.8 testing) (FM,UL)	1
RDA61Y003	1" (25mm) A61 Test & Drain Valve, 7/16" test orifice (K57 / K4.2 testing) (FM,UL)	1
RDA61Y005	1" (25mm) A61 Test & Drain Valve, 1/2" test orifice (K80 / K5.6 testing) (FM,UL)	1
RDA61Y015	1" (25mm) A61 Test & Drain Valve, 17/32" test orifice (K115 / K8 testing) (FM,UL)	1
RDA61Y009	1" (25mm) A61 Test & Drain Valve, 3/4" test orifice (K200 / K14 testing) (FM,UL)	1
RDA61Y002	1.1/4" (32mm) A61 Test & Drain Valve, 3/8" test orifice (K40 / K2.8 testing) (FM,UL)	1
RDA61Y004	1.1/4" (32mm) A61 Test & Drain Valve, 7/16" test orifice (K57 / K4.2 testing) (FM,UL)	1
RDA61Y006	1.1/4" (32mm) A61 Test & Drain Valve, 1/2" test orifice (K80 / K5.6 testing) (FM,UL)	1
RDA61Y016	1.1/4" (32mm) A61 Test & Drain Valve, 17/32" test orifice (K115 / K8 testing) (FM,UL)	1
RDA61Y012	1.1/4" (32mm) A61 Test & Drain Valve, 5/8" test orifice (K160 / K11 testing) (FM,UL)	1
RDA61Y010	1.1/4" (32mm) A61 Test & Drain Valve, 3/4" test orifice (K200 / K14 testing) (FM,UL)	1
RDA61Y030	2" (50mm) A61 Test & Drain Valve, 7/16" test orifice (K57 / K4.2 testing) (FM,UL)	1
RDA61Y032	2" (50mm) A61 Test & Drain Valve, 1/2" test orifice (K80 / K5.6 testing) (FM,UL)	1
RDA61Y033	2" (50mm) A61 Test & Drain Valve, 17/32" test orifice (K115 / K8 testing) (FM,UL)	1
RDA61Y034	2" (50mm) A61 Test & Drain Valve, 5/8" test orifice (K160 / K11 testing) (FM,UL)	1
RDA61Y035	2" (50mm) A61 Test & Drain Valve, 3/4" test orifice (K200 / K14 testing) (FM,UL)	1
RDA61Y036	2" (50mm) A61 Test & Drain Valve, 15/16" test orifice (K240 / K16.8 testing) (FM,UL)	1
RDA61Y037	2" (50mm) A61 Test & Drain Valve, 15/64" test orifice (K320 / K22.4 testing) (FM,UL)	1
RDA61Y038	2" (50mm) A61 Test & Drain Valve, 19/64" test orifice (K362 / K25 testing) (FM,UL)	1





## A61 GROOVED TEST & DRAIN VALVES

- FM approved, UL Listed
- Grooved
- Nominal pressure rated to 20.6 bar (300 PSI)
- Working temperature range of -10 / +120°C (14 / 250°F)
- Approval: UL Listed & FM Approved
- Available in 1", 1 1/4", 1 1/2" and 2" pipe size connections
- Standard thread connection: NPT
- K Factors K80 (K5.6) to K360 (K25)
- Brass body with three position ball valve OFF / TEST / DRAIN
- Integral sight glass with acrylic see through windows

PART NUMBER	DESCRIPTION	BOX QTY
Datasheet No. 7.03		
RDA61Y056	1.1/4" (32mm) A61 Test & Drain Valve, 1/2" test orifice (K80 / K5.6 testing) (FM,UL)	1
RDA61Y058	1.1/4" (32mm) A61 Test & Drain Valve, 17/32" test orifice (K115 / K8 testing) (FM,UL)	1
RDA61Y060	1.1/4" (32mm) A61 Test & Drain Valve, 3/4" test orifice (K200 / K14 testing) (FM,UL)	1
RDA61Y062	1.1/4" (32mm) A61 Test & Drain Valve, 5/8" test orifice (K160 / K11 testing) (FM,UL)	1
RDA61Y082	2" (50mm) A61 Test & Drain Valve, 1/2" test orifice (K80 / K5.6 testing) (FM,UL)	1
RDA61Y083	2" (50mm) A61 Test & Drain Valve, 17/32" test orifice (K115 / K8 testing) (FM,UL)	1
RDA61Y085	2" (50mm) A61 Test & Drain Valve, 3/4" test orifice (K200 / K14 testing) (FM,UL)	1
RDA61Y086	2" (50mm) A61 Test & Drain Valve, 15/16" test orifice (K240 / K16.8 testing) (FM,UL)	1
RDA61Y087	2" (50mm) A61 Test & Drain Valve, 15/64" test orifice (K320 / K22.4 testing) (FM,UL)	1
RDA61Y088	2" (50mm) A61 Test & Drain Valve, 19/64" test orifice (K362 / K25 testing) (FM,UL)	1



## MODEL 304 GROOVED / CVF300 FLANGED

Model 304 Grooved swing check valve

- Sizes DN50-DN200
- UL, FM
- 24.0 bar (350 psi)

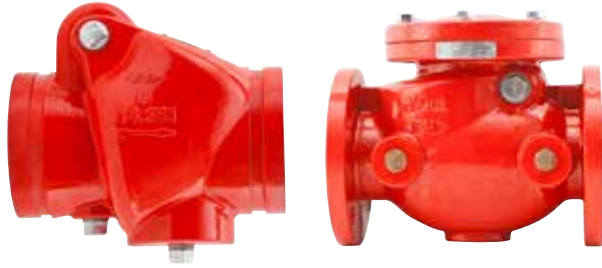
Model CVF300 Flanged swing check valve

- Sizes DN50-DN300
- UL, FM
- 20.7 bar (300 psi)

PART NUMBER	DESCRIPTION	BOX QTY
Datasheet No. 1.23, 1.36		
RDCVS050G	2" (50mm) model 304 grooved swing check valve (UL)	1
RDCVS065G	2 ½" (65mm) model 304 grooved swing check valve (76mm o/d) (FM, UL)	1
RDCVS080G	3" (80mm) model 304 grooved swing check valve (FM, UL)	1
RDCVS100G	4" (100mm) model 304 grooved swing check valve (FM, UL)	1
RDCVS150G	6" (150mm) model 304 grooved swing check valve (FM, UL)	1
RDCVS168G	6" (168mm) model 304 grooved swing check valve (FM, UL) (European Market)	1
RDCVS200G	8" (200mm) model 304 grooved swing check valve (FM, UL)	1
RDCVF050F	2" (50mm) model CVF300 PN16 flanged swing check valve (FM, UL)	1
RDCVF065F	2 ½" (65mm) model CVF300 PN16 flanged swing check valve (FM, UL)	1
RDCVF080F	3" (80mm) model CVF300 PN16 flanged swing check valve (FM, UL)	1
RDCVF100F	4" (100mm) model CVF300 PN16 flanged swing check valve (FM, UL)	1
RDCVF150F	6" (150mm) model CVF300 PN16 flanged swing check valve (FM, UL)	1
RDCVF200F	8" (200mm) model CVF300 PN16 flanged swing check valve (FM, UL)	1
RDCVF250F	10" (250mm) model CVF300 PN16 flanged swing check valve (FM, UL)	1
RDCVF300F	12" (300mm) model CVF300 PN16 flanged swing check valve (FM, UL)	1



Cert:LPCB/ ref. 566j/01



## MODEL 301 GROOVED / 302 FLANGED

Model 301 grooved swing check valve

- Sizes DN50-DN300
- 17.2 bar (250 psi) FM
- 20.7 bar (300 psi) UL
- 25.0 bar (362 psi) LPCB, VdS

Model 302 PN16 flanged swing check valve

- Sizes DN50-DN300
- 16.0 bar (232 psi) FM
- 20.7 bar (300 psi) UL
- 25.0 bar (362 psi) LPCB

PART NUMBER	DESCRIPTION	BOX QTY
Datasheet No. 1.57 & 1.74		
RD301CV050	2" (50mm) model 301 grooved swing check valve (UL, FM, LPCB, VdS)	1
RD301CV065	2 ½" (65mm) model 301 grooved swing check valve (UL, FM, LPCB, VdS)	1
RD301CV080	3" (80mm) model 301 grooved swing check valve (UL, FM, LPCB, VdS)	1
RD301CV100	4" (100mm) model 301 grooved swing check valve (UL, FM, LPCB, VdS)	1
RD301CV150	6" (150mm) model 301 grooved swing check valve (UL, FM, LPCB, VdS)	1
RD301CV168	6" (150mm) model 301 grooved swing check valve (UL, FM, LPCB, VdS) (168.3mm o/d) (European Market)	1
RD301CV200	8" (200mm) model 301 grooved swing check valve (UL, FM, LPCB, VdS)	1
RD301CV250	10" (250mm) model 301 grooved swing check valve (UL, FM, LPCB, VdS)	1
RD301CV300	12" (300mm) model 301 grooved swing check valve (UL, FM, LPCB, VdS)	1
RD302CV050	2" (50mm) model 302 PN16 flanged swing check valve (UL, FM, LPCB)	1
RD302CV065	2 ½" (65mm) model 302 PN16 flanged swing check valve (UL, FM, LPCB)	1
RD302CV080	3" (80mm) model 302 PN16 flanged swing check valve (UL, FM, LPCB)	1
RD302CV100	4" (100mm) model 302 PN16 flanged swing check valve (UL, FM, LPCB)	1
RD302CV150	6" (150mm) model 302 PN16 flanged swing check valve (UL, FM, LPCB)	1
RD302CV200	8" (200mm) model 302 PN16 flanged swing check valve (UL, FM, LPCB)	1
RD302CV250	10" (250mm) model 302 PN16 flanged swing check valve (UL, FM, LPCB)	1
RD302CV300	12" (300mm) model 302 PN16 flanged swing check valve (UL, FM, LPCB)	1



### MODEL 303

- Dual Plate Check Valve
- Cast Iron Body
- Stainless Steel Plates & Springs
- EPDM Seat
- To suit PN16 Flanges
- Rated PN16
- Temperature 0°C to 120°C.

PART NUMBER	DESCRIPTION	BOX QTY
Datasheet No. 1.75		
RD303-050	2" (50mm) Double door wafer check valve to suit PN16 flange (UL)	1
RD303-065	2 ½" (65mm) Double door wafer check valve, to suit PN16 flange (UL)	1
RD303-080	3" (80mm) Double door wafer check valve, to suit PN16 flange (UL)	1
RD303-100	4" (100mm) Double door wafer check valve, to suit PN16 flange (UL)	1
RD303-150	6" (150mm) Double door wafer check valve, to suit PN16 flange (UL)	1
RD303-200	8" (200mm) Double door wafer check valve, to suit PN16 flange (UL)	1
RD303-250	10" (250mm) Double door wafer check valve, to suit PN16 flange (UL)	1
RD303-300	12" (300mm) Double door wafer check valve, to suit PN16 flange (UL)	1
RD303-350	14" (350mm) Double door wafer check valve, to suit PN16 flange (UL)	1
RD303-400	16" (400mm) Double door wafer check valve, to suit PN16 flange (UL)	1



## MODEL YSF175

- Sizes DN65 to DN300
- Connection: Flange to ANSI B16.1 Class 125
- Max. working pressure: 12 bar (175 PSI)
- UL approved

PART NUMBER	DESCRIPTION	BOX QTY
Datasheet No. 6.07		
RDYSTRAIN065	2 ½" (65mm) Model YSF175 flanged PN16 Y-Type strainer (UL)	1
RDYSTRAIN080	3" (80mm) Model YSF175 flanged PN16 Y-Type strainer (UL)	1
RDYSTRAIN100	4" (100mm) Model YSF175 flanged PN16 Y-Type strainer (UL)	1
RDYSTRAIN150	6" (150mm) Model YSF175 flanged PN16 Y-Type strainer (UL)	1
RDYSTRAIN200	8" (200mm) Model YSF175 flanged PN16 Y-Type strainer (UL)	1
RDYSTRAIN250	10" (250mm) Model YSF175 flanged PN16 Y-Type strainer (UL)	1
RDYSTRAIN300	12" (300mm) Model YSF175 flanged PN16 Y-Type strainer (UL)	1
RDYSTRAIN065A	2 ½" (65mm) Model YSF175 flanged ANSI Y-Type strainer (UL)	1
RDYSTRAIN080A	3" (80mm) Model YSF175 flanged ANSI Y-Type strainer (UL)	1
RDYSTRAIN100A	4" (100mm) Model YSF175 flanged ANSI Y-Type strainer (UL)	1
RDYSTRAIN150A	6" (150mm) Model YSF175 flanged ANSI Y-Type strainer (UL)	1
RDYSTRAIN200A	8" (200mm) Model YSF175 flanged ANSI Y-Type strainer (UL)	1
RDYSTRAIN250A	10" (250mm) Model YSF175 flanged ANSI Y-Type strainer (UL)	1
RDYSTRAIN300A	12" (300mm) Model YSF175 flanged ANSI Y-Type strainer (UL)	1



## FOOT VALVES

- Cast iron foot valve and Strainer
- Flanged PN16 upto 6", PN10 8" to 12"
- Cast Iron Body, Stainless Steel Screen
- Cast Iron Disc with EPDM Seal with Back Seat
- 8mm Mesh
- Rated PN10
- Temperature -10°C to 90°C.

PART NUMBER	DESCRIPTION	BOX QTY
Datasheet No. 6.20		
RDFV050	2" (50mm) Cast iron foot valve c/w strainer, PN16	1
RDFV065	2 ½" (65mm) Cast iron foot valve c/w strainer, PN16	1
RDFV080	3" (80mm) Cast iron foot valve c/w strainer, PN16	1
RDFV100	4" (100mm) Cast iron foot valve c/w strainer, PN16	1
RDFV150	6" (150mm) Cast iron foot valve c/w strainer, PN16	1
RDFV200	8" (200mm) Cast iron foot valve c/w strainer, PN10	1
RDFV250	10" (250mm) Cast iron foot valve c/w strainer, PN10	1
RDFV300	12" (300mm) Cast iron foot valve c/w strainer, PN10	1



## SPRING LOADED CHECK VALVE

- Brass Spring Check Valve - Full Flow
- NBR Seal
- Polyacetal Disc
- Screwed BSPP Female
- Temperature Range -10°C to 90°C
- Can be installed in vertical or horizontal position

PART NUMBER	DESCRIPTION	BOX QTY
Datasheet No. 1.32		
RDCVSP015S	"½" (15mm) Spring loaded threaded swing check valve, PN40 pressure rated	1
RDCVSP020S	"¾" (20mm) Spring loaded threaded swing check valve, PN40 pressure rated	1
RDCVSP025S	"1" (25mm) Spring loaded threaded swing check valve, PN25 pressure rated	1
RDCVSP032S	"1 ¼" (32mm) Spring loaded threaded swing check valve, PN25 pressure rated	1
RDCVSP040S	"1 ½" (40mm) Spring loaded threaded swing check valve, PN16 pressure rated	1
RDCVSP050S	"2" (50mm) Spring loaded threaded swing check valve, PN16 pressure rated	1



## LOCKING BALL VALVE

- Brass Ball Valve with Locking Lever
- Nickel Plated Body
- Brass Ball & Stem,
- PTFE Seats, Full Bore,
- Screwed BSPT,
- Temperature -20°C to 110°C.

PART NUMBER	DESCRIPTION	BOX QTY
Datasheet No. 1.33		
RDLBV015S	½" (15mm) BSP threaded locking lever ball valve, PN40	1
RDLBV020S	¾" (20mm) BSP threaded locking lever ball valve, PN40	1
RDLBV025S	1" (25mm) BSP threaded locking lever ball valve, PN40	1
RDLBV032S	1 ¼" (32mm) BSP threaded locking lever ball valve, PN25	1
RDLBV040S	1 ½" (40mm) BSP threaded locking lever ball valve, PN25	1
RDLBV050S	2" (50mm) BSP threaded locking lever ball valve, PN25	1
RDLBV065S	2 ½" (65mm) BSP threaded locking lever ball valve, PN16	1
RDLBV080S	3" (80mm) BSP threaded locking lever ball valve, PN16	1
RDLBV100S	4" (100mm) BSP threaded locking lever ball valve, PN16	1
RDPAD25	25mm Padlock to fit to lever locking ball valve	1





## THREADED GATE VALVES

- BSP Gate valves, Brass
- To BS5154
- Bronze Body & Bonnet
- Screwed BSPP
- Rated PN20 and PN25
- Temperature Range -20°C to 180°C.

PART NUMBER	DESCRIPTION	BOX QTY
Datasheet No. 1.34		
RDGVB015S	WRAS approved ½" (15mm) brass BSP threaded gate valve, PN20	1
RDGVB020S	WRAS approved ¾" (20mm) brass BSP threaded gate valve, PN20	1
RDGVB025S	WRAS approved 1" (25mm) brass BSP threaded gate valve, PN20	1
RDGVB032S	WRAS approved 1 ¼" (32mm) brass BSP threaded gate valve, PN20	1
RDGVB040S	WRAS approved 1 ½" (40mm) brass BSP threaded gate valve, PN20	1
RDGVB050S	WRAS approved 2" (50mm) brass BSP threaded gate valve, PN20	1
RDGVB065S	WRAS approved 2 ½" (65mm) brass BSP threaded gate valve, PN20	1
RDGVB080S	WRAS approved 3" (80mm) brass BSP threaded gate valve, PN20	1
RDGVB100S	WRAS approved 4" (100mm) brass BSP threaded gate valve, PN20	1
RDGVB015SPN25	WRAS approved ½" (15mm) brass BSP threaded gate valve, PN25	1
RDGVB020SPN25	WRAS approved ¾" (20mm) brass BSP threaded gate valve, PN25	1
RDGVB025SPN25	WRAS approved 1" (25mm) brass BSP threaded gate valve, PN25	1
RDGVB032SPN25	WRAS approved 1 ¼" (32mm) brass BSP threaded gate valve, PN25	1
RDGVB040SPN25	WRAS approved 1 ½" (40mm) brass BSP threaded gate valve, PN25	1
RDGVB050SPN25	WRAS approved 2" (50mm) brass BSP threaded gate valve, PN25	1
RDGVB065SPN25	WRAS approved 2 ½" (65mm) brass BSP threaded gate valve, PN25	1
RDGVB080SPN25	WRAS approved 3" (80mm) brass BSP threaded gate valve, PN25	1
RDGVB100SPN25	WRAS approved 4" (100mm) brass BSP threaded gate valve, PN25	1



## PUMP INITIATION BOARDS BS EN12845

- Supplied ready for wall mounting
- Each arrangement has a separate test arrangement and connection with a common drain
- Meets BSEN12845 (double Switch)
- Pressure tested to 16 bar before dispatch
- Can be manufactured to customers own specification and drawing
- Assembled in Rapidrop UK workshop
- Single switch option available to meet BS5306 - for wet riser system or non BS EN12845

### PLEASE NOTE

Bespoke pump initiation boards available on request

PART NUMBER	DESCRIPTION	BOX QTY
Datasheet No. 6.02		
RDPIB2PBST	2 way Pump Initiation Board to BSEN12845 (16 bar rated gauges & switches)	1
RDPIB3PBST	3 way Pump Initiation Board to BSEN12845 (16 bar rated gauges & switches)	1
RDPIB4PBST	4 way Pump Initiation Board to BSEN12845 (16 bar rated gauges & switches)	1
RDPIB2PBS25BAR	2 way Pump Initiation Board to BSEN12845 (25 bar rated gauges & switches)	1
RDPIB3PBS25BAR	3 way Pump Initiation Board to BSEN12845 (25 bar rated gauges & switches)	1
RDPIB4PBS25BAR	4 way Pump Initiation Board to BSEN12845 (25 bar rated gauges & switches)	1
RDPIB2PBS40BAR	2 way Pump Initiation Board to BSEN12845 (40 bar rated gauges & switches)	1
RDPIB3PBS40BAR	3 way Pump Initiation Board to BSEN12845 (40 bar rated gauges & switches)	1
RDPIB4PBS40BAR	4 way Pump Initiation Board to BSEN12845 (40 bar rated gauges & switches)	1



## ZONE ASSEMBLIES



- Available in 50mm, 65mm, 85mm, 100mm, 200mm
- Unit is supplied pre-wired using FP200 cable
- FM valve fitted as standard
- Assembled in Rapidrop UK workshop

### PLEASE NOTE

Non stock item - Manufactured to order.  
Test and drain valves are not included in the above prices.

PART NUMBER	DESCRIPTION	BOX QTY
Datasheet No. 7.02		
RDZA050216	50mm zone assembly c/w FM monitored butterfly valve & flow switch	1
RDZA065216	65mm zone assembly c/w FM monitored butterfly valve & flow switch	1
RDZA080216	80mm zone assembly c/w FM monitored butterfly valve & flow switch	1
RDZA100216	100mm zone assembly c/w FM monitored butterfly valve & flow switch	1
RDZA165216	150mm zone assembly c/w FM monitored butterfly valve & flow switch	1
RDZA200216	200mm zone assembly c/w FM monitored butterfly valve & flow switch	1



Cert/LPCB/ ref. 1385a/01-16



## TURBO LUX 3 FLOW METER

- LPCB / FM / VdS approved (sizes 2" - 8")
- Grooved connections
- Can be installed vertically or horizontally
- 16 bar rated

PART NUMBER	DESCRIPTION	BOX QTY
Datasheet No. 6.15		
RDT3M050/75-375	Turbolux3 grooved 2"/ DN50 (60,3mm) 75-375 LPM (FM,LPCB,VdS)	1
RDT3M076/150-750	Turbolux3 grooved 2 1/2"/ DN65 (76,1mm) 150-750 LPM (FM,LPCB,VdS)	1
RDT3M080/220-1100	Turbolux3 grooved 3"/ DN80 (88,9mm) 220-1100 LPM (FM,LPCB,VdS)	1
RDT3M080/300-1500	Turbolux3 grooved 3"/ DN80 (88,9mm) 300-1500 LPM (FM,LPCB,VdS)	1
RDT3M100/380-1900	Turbolux3 grooved 4"/ DN100 (114,3mm) 380-1900 LPM (FM,LPCB,VdS)	1
RDT3M100/460-2300	Turbolux3 grooved 4"/ DN100 (114,3mm) 460-2300 LPM (FM,LPCB,VdS)	1
RDT3M100/600-3000	Turbolux3 grooved 4"/ DN100 (114,3mm) 600-3000 LPM (FM,LPCB,VdS)	1
RDT3M100/680-3400	Turbolux3 grooved 4"/ DN100 (114,3mm) 680-3400 LPM (FM,LPCB,VdS)	1
RDT3M150/760-3800	Turbolux3 grooved 6"/ DN150 (165,1mm) 760-3800 LPM (FM,LPCB,VdS)	1
RDT3M150/1130-5650	Turbolux3 grooved 6"/ DN150 (165,1mm) 1130-5650 LPM (FM,LPCB,VdS)	1
RDT3M150/1500-7500	Turbolux3 grooved 6"/ DN150 (165,1mm) 1500-7500 LPM (FM,LPCB,VdS)	1
RDT3M150/1900-9500	Turbolux3 grooved 6"/ DN150 (165,1mm) 1900-9500 LPM (FM,LPCB,VdS)	1
RDT3M168/760-3800	Turbolux3 grooved 6"/ DN150 (168,3mm) 760-3800 LPM (FM,LPCB,VdS) (European Market)	1
RDT3M168/1130-5650	Turbolux3 grooved 6"/ DN150 (168,3mm) 1130-5650 LPM (FM,LPCB,VdS) (European Market)	1
RDT3M168/1500-7500	Turbolux3 grooved 6"/ DN150 (168,3mm) 1500-7500 LPM (FM,LPCB,VdS) (European Market)	1
RDT3M168/1900-9500	Turbolux3 grooved 6"/ DN150 (168,3mm) 1900-9500 LPM (FM,LPCB,VdS) (European Market)	1
RDT3M200/2200-11000	Turbolux3 grooved 8"/ DN200 (219,1mm) 2200-11000 LPM (FM,LPCB,VdS)	1
RDT3M200/3000-15000	Turbolux3 grooved 8"/ DN200 (219,1mm) 3000-15000 LPM (FM,LPCB,VdS)	1
RDT3M200/3800-19000	Turbolux3 grooved 8"/ DN200 (219,1mm) 3800-19000 LPM (FM,LPCB,VdS)	1
RDT3M200/4500-22500	Turbolux3 grooved 8"/ DN200 (219,1mm) 4500-22500 LPM (FM,LPCB,VdS)	1
RDT3M250/5300-26500	Turbolux3 grooved 10"/ DN250 (273,0mm) 5300-26500 LPM (FM)	1
RDT3M250/6000-30000	Turbolux3 grooved 10"/ DN250 (273,0mm) 6000-30000 LPM (FM)	1
RDT3M250/6800-34000	Turbolux3 grooved 10"/ DN250 (273,0mm) 6800-34000 LPM (FM)	1
RDT3M300/7600-38000	Turbolux3 grooved 12"/ DN300 (323,9mm) 7600-38000 LPM (FM)	1
RDT3MCERT	Calibration Certificate (SET Orifice and Bypass Flowmeter)	1
RDT3MBYPASS	Bypass Flowmeter (Replacement)	1
RDT3MCAP	Replacement cap (incl. gasket)	1

## General Description

The Turbo-Lux 3 is the first fire pump flow measuring device to be approved by all three approval bodies, LPCB, VdS and FM. With only two components, the Turbo Lux 3 is supplied as standard with ISO6182-12 grooved end connections for ease and speed of installation.

## Features

- Nominal size from DN50 / 2" to DN300 / 12"
- Pump flow rate from 185 - 19 000 lpm (50 - 5 000 USgpm)
- Measuring flow range from 75 - 38 000 lpm (20 - 10 000 USgpm)
- Measurement accuracy certificate supplied as standard for the bypass meter (optional calibration certificate)
- Easy to install with grooved connections
- Unique installation assembly, just with one threaded connection (no tools required)
- Can be installed in any angle of pipe, horizontal through to vertical.
- Long life span, stainless steel standard up to DN100
- FM, LPCB and VdS approved

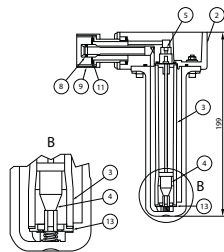
## Materials Specifications

Description	Material
Housing	(2"/DN50 to 4"/DN100) Stainless Steel with turned grooved connection (6"/DN150 to 12"/DN300) Coated Steel with rolled grooved connection*
Differential Pressure Tube	Brass
Float	Stainless Steel
Bypass Orifice	Stainless Steel
Filter	Stainless Steel
Seal	NBR

\* Optional in stainless steel with rolled grooved connection

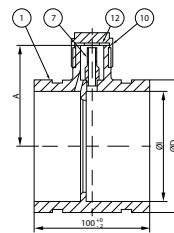
- ① Housing tube
- ② Bypass meter
- ③ Measuring tube
- ④ Float
- ⑤ Bypass orifice
- ⑦ Differential pressure

- ⑧ O-Ring
- ⑨ Screw cap
- ⑩ Cap
- ⑪ O-Ring
- ⑫ Seal
- ⑬ Filter

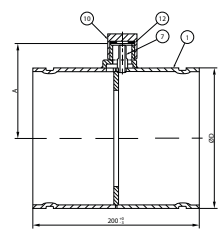


## Technical Data

Measuring principle	Orifice plate flowmeter with variable flowmeter as indication
Nominal Size	DN50/2" grooved ends (Ø60.3 mm) DN65/2 1/2" grooved ends (Ø73.0mm) DN65/2 1/2" grooved ends (Ø76.1mm) DN80/3" grooved ends (Ø88.9mm) DN100/4" grooved ends (Ø114.3mm) DN150/6" grooved ends (Ø165.1mm) DN150/6" grooved ends (Ø168.3mm) DN200/8" grooved ends (Ø219.1mm) DN250/10" grooved ends (Ø273.0mm) DN300/12" grooved ends (Ø323.9mm)
Max. Working Pressure	16 bar (232 psi)
Hydrostatically strength Pressure Strength	64 bar (928 psi) for 5 min (FM) 40 bar (580 psi) for 5 min (LPCB) 64 bar (928 psi) for 10 min (VdS)
Measuring Accuracy	±2.0% of full scale value (FM) ±5.0% of measured value (LPCB) ±2.5% of full scale value (VdS)
Temperature Range	+4 °C to +50 °C (+39°F to +122°F)
Medium	Water



Turbo-Lux 3 orifice plate and bypass meter  
2"/DN 50 - 4"/DN 100



Turbo-Lux 3 orifice plate 6"/DN 150 - 12"/DN 300

## Dimensions and Weights

Nominal Size	Dimensions			Packing Size	Weight incl. packing kg (lbs)
	A (approx)	ØD	ØI		
DN50 / 2 1/2"	60mm (2.4")	60.3mm (2.4")	53mm (2.1")	380 x 270 x 250	2.0(4.4)
DN65 / 2"	68mm (2.7")	76.1mm (3.0")	66mm (2.6")	380 x 270 x 250	2.1(4.6)
DN80 / 3"	75mm (2.9")	88.9mm (3.5")	80mm (3.1")	380 x 270 x 250	2.3(5.1)
DN100 / 4"	87mm (3.4")	114.3mm (4.5")	100mm (3.9")	380 x 270 x 250	3.2(7.0)
DN150 / 6"	113mm (4.4")	165.1mm (6.5")	-	380 x 270 x 250	4.9(10.8)
DN150 / 6"	114mm (4.5")	168.3mm (6.6")	-	380 x 270 x 250	4.9(10.8)
DN200 / 8"	140mm (5.5")	219.1mm (8.6")	-	380 x 270 x 250	6.4(14.1)
DN250 / 10"	166mm (6.5")	273.0mm (10.8")	-	500 x 350 x 300	8.5(18.7)
DN300 / 12"	192mm (7.5")	323.9mm (12.7")	-	500 x 350 x 350	11(24.2)



Cert/LPCB/ ref. 564a/01-10



## FLOW METERS

### LPCB Flow Meters

- Available in sizes 2" (50mm) to 8" (200mm)

### FM Flow Meters

- Available in sizes 3" (80mm) to 8" (200mm)

PART NUMBER	DESCRIPTION	BOX QTY
Datasheet No. 6.04 & 6.09		
RDFLMGRV050I	2" (50mm) Influx Flow Meter, grooved, 150-750 lpm (LPCB)	1
RDFLMGRV080I	3" (80mm) Influx Flow Meter, grooved, 300-1600 lpm (LPCB)	1
RDFLMGRV100G	4" (100mm) Influx Flow, grooved, 500-3500 lpm (LPCB)	1
RDFLMGRV150G	6" (150mm) Influx Flow Meter, grooved, 900-7900 lpm (LPCB)	1
RDFLMGRV200G	8" (200mm) Influx Flow Meter, grooved, 2000-15000 lpm (LPCB)	1
RDFLMFLG050I	2" Influx Flow Meter, wafer type, 150-750 lpm (LPCB)	1
RDFLMFLG080I	3" Influx Flow Meter, wafer type, 300-2300 lpm (LPCB)	1
RDFLMFLG100I	4" Influx Flow Meter, wafer type, 500-3500 lpm (LPCB)	1
RDFLMFLG150I	6" Influx Flow Meter, wafer type, 900-7900 lpm (LPCB)	1
RDFLMFLG200I	8" Influx Flow Meter, wafer type, 2000-15000 lpm (LPCB)	1
RDFLMGRV080IFM	3" Influx Flow Meter, grooved, 300-1600 lpm (FM)	1
RDFLMGRV100IFM	4" Influx Flow Meter, grooved, 600-3400 lpm (FM)	1
RDFLMGRV150IFM	6" Influx Flow Meter, grooved, 900-7900 lpm (FM)	1
RDFLMGRV200IFM	8" Influx Flow Meter, grooved 3000-15000 lpm (FM)	1



## FLOW METERS

- FM - Grooved
- Venturi type
- Sizes 80mm to 300mm
- Try and sell the Mecon. Convert - gallons to GPM. +£250 on all prices.

### PLEASE NOTE

Butt Weld and Wafer design available on request

PART NUMBER	DESCRIPTION	BOX QTY
Datasheet No. 6.08		
RDPTMG0150080	Fire pump test meter 80mm (3") grooved 75-300 GPM (FM)	1
RDPTMG0200080	Fire pump test meter 80mm (3") grooved 100-400 GPM (FM)	1
RDPTMG0250100	Fire pump test meter 100mm (4") grooved 125-500 GPM (FM)	1
RDPTMG0300100	Fire pump test meter 100mm (4") grooved 150-600 GPM (FM)	1
RDPTMG0400100	Fire pump test meter 100mm (4") grooved 200-800 GPM (FM)	1
RDPTMG0450100	Fire pump test meter 100mm (4") grooved 225-900 GPM (FM)	1
RDPTMG0500150	Fire pump test meter 150mm (6") grooved 250-1000GPM (FM)	1
RDPTMG0750150	Fire pump test meter 150mm (6") grooved 375-1500 GPM (FM)	1
RDPTMG1000150	Fire pump test meter 150mm (6") grooved 500-2000 GPM (FM)	1
RDPTMG1250150	Fire pump test meter 150mm (6") grooved 625-2500 GPM (FM)	1
RDPTMG1000200	Fire pump test meter 200mm (8") grooved 500-2000 GPM (FM)	1



## FLOW METERS

- FM - Grooved, butt weld, and Wafer design
- Sizes 80mm to 300mm

PART NUMBER	DESCRIPTION	BOX QTY
Datasheet No. 6.08		
RDPTMG1250200	Fire pump test meter 200mm (8") grooved 625-2500 GPM (FM)	1
RDPTMG1500200	Fire pump test meter 200mm (8") grooved 750-3000 GPM (FM)	1
RDPTMG2000200	Fire pump test meter 200mm (8") grooved 1000-4000 GPM (FM)	1
RDPTMG2500200	Fire pump test meter 200mm (8") grooved 1250-5000 GPM (FM)	1
RDPTMG3000200	Fire pump test meter 200mm (8") grooved 1500-6000 GPM (FM)	1
RDPTMG1500250	Fire pump test meter 250mm (10") grooved 750-3000 GPM (FM)	1
RDPTMG2000250	Fire pump test meter 250mm (10") grooved 1000-4000 GPM (FM)	1
RDPTMG2500250	Fire pump test meter 250mm (10") grooved 1250-5000 GPM (FM)	1
RDPTMG3000250	Fire pump test meter 250mm (10") grooved 1500-6000 GPM (FM)	1
RDPTMG3500250	Fire pump test meter 250mm (10") grooved 1750-7000 GPM (FM)	1
RDPTMG4000250	Fire pump test meter 250mm (10") grooved 2000-8000 GPM (FM)	1
RDPTMG4500250	Fire pump test meter 250mm (10") grooved 2250-9000 GPM (FM)	1





### MECON MAG-FLUX

Electromagnetic Flow Sensor Mag-Flux A

- Sizes DN15-DN150
- PN40 Drilled

Transmitter Mag-Flux M1

- High-speed signal processing by 16-bit microcontroller
- Easy navigation with a two-line display (Option)
- Self-monitoring system
- Analog output (0/4-20 mA) and digital outputs (pulse, device status, limit, frequency)
- Internal simulation for all output values

PART NUMBER	DESCRIPTION	BOX QTY
Datasheet No. 6.17		
RDMFA015PN40	½" (15mm) Electromagnetic Flow Sensor Mag-Flux A, 40 bar	1
RDMFA025PN40	1" (25mm) Electromagnetic Flow Sensor Mag-Flux A, 40 bar	1
RDMFA032PN40	1 ¼" (32mm) Electromagnetic Flow Sensor Mag-Flux A, 40 bar	1
RDMFA040PN40	1 ½" (40mm) Electromagnetic Flow Sensor Mag-Flux A, 40 bar	1
RDMFA050PN40	2" (50mm) Electromagnetic Flow Sensor Mag-Flux A, 40 bar	1
RDMFA065PN40	2 ½" (65mm) Electromagnetic Flow Sensor Mag-Flux A, 40 bar	1
RDMFA080PN40	3" (80mm) Electromagnetic Flow Sensor Mag-Flux A, 40 bar	1
RDMFA100PN40	4" (100mm) Electromagnetic Flow Sensor Mag-Flux A, 40 bar	1
RDMFA150PN40	6" (150mm) Electromagnetic Flow Sensor Mag-Flux A, 40 bar	1
RDMFM1PN40TRANSMIT	Transmitter Mag-Flux M1	1
RDMFCABLE5M	5M cable for Transmitter Mag-Flux M1	1



## 40 & 46 BAR RATED HIGH PRESSURE VALVES

High Performance Wafer Butterfly Valve

- Sizes DN50-DN1200
- ≤ DN150 max. 40 bar, >DN150 max. 25 bar

Cast Steel Swing Check Valve

- Sizes DN50-DN300
- 46 bar at 100 °C (Class 300)

OS&Y Gate Valve

- Sizes DN50-DN250
- 46 bar at 100 °C (Class 300)

### PLEASE NOTE

Other sizes are available

PART NUMBER	DESCRIPTION	BOX QTY
Datasheet No. B.002, B.006, B.020		
RD080EBROHP111-K1	3" (80mm) High Performance Wafer Butterfly Valve, 40 bar	1
RD100EBROHP111-K1	4" (100mm) High Performance Wafer Butterfly Valve, 40 bar	1
RD150EBROHP111-K1	6" (150mm) High Performance Wafer Butterfly Valve, 40 bar	1
RDCVS080PN40	3" (80mm) Cast Steel Swing Check Valve, PN40 Flange, 46 bar	1
RDCVS100PN40	4" (100mm) Cast Steel Swing Check Valve, PN40 Flange, 46 bar	1
RDCVS150PN40	6" (150mm) Cast Steel Swing Check Valve, PN40 Flange, 46 bar	1
RDOS&Y080PN40	3" (80mm) OS&Y Gate Valve, PN40 Flange, 46 bar	1
RDOS&100PN40	4" (100mm) OS&Y Gate Valve, PN40 Flange, 46 bar	1
RDOS&Y150PN40	6" (150mm) OS&Y Gate Valve, PN40 Flange, 46 bar	1



### HIGH PRESSURE VALVES



- 27.5 bar (400 PSI)
- Grooved and Wafer Butterfly Valves Available
- Butterfly Valve sizes range from 2.5" (65mm) - 12" (300mm)
- Check Valve sizes range from 2" (50mm) - 8" (200mm)
- OS&Y Resilient Wedge Gate Valve sizes range from 2.5" (65mm) - 10" (250mm)

**PLEASE NOTE**

Other valve sizes are available

PART NUMBER	DESCRIPTION	BOX QTY
Datasheet No. 1.73, 1.76, 1.77		
RD221-080400	3" (80mm) Butterfly Valve, Grooved, c/w switch (88.9 mm o/d), 27.5 bar	1
RD221-100400	4" (100mm) Butterfly Valve, Grooved, c/w switch (114.3 mm o/d), 27.5 bar	1
RD221-150400	6" (150mm) Butterfly Valve, Grooved, c/w switch (165.1 mm o/d), 27.5 bar	1
RD220-080400	3" (80mm) Butterfly Valve, Wafer, c/w switch (120 mm o/d), 27.5 bar	1
RD220-100400	4" (100mm) Butterfly Valve, Wafer, c/w switch (165 mm o/d), 27.5 bar	1
RD220-150400	6" (150mm) Butterfly Valve, Wafer, c/w switch (216 mm o/d), 27.5 bar	1
RDCVS080G400	3" (80mm) Check Valve, Grooved, (88.9 mm o/d), 27.5 bar	1
RDCVS100G400	4" (100mm) Check Valve, Grooved, (114.3 mm o/d), 27.5 bar	1
RDCVS150G400	6" (150mm) Check Valve, Grooved, (165.1 mm o/d), 27.5 bar	1
RD103GG080400	3" (80mm) OS&Y Resilient Wedge Gate Valve Fig.103GG, Grooved, 27.5 bar	1
RD103GG100400	4" (100mm) OS&Y Resilient Wedge Gate Valve Fig.103GG, Grooved, 27.5 bar	1
RD103GG150400	6" (150mm) OS&Y Resilient Wedge Gate Valve Fig.103GG, Grooved, 27.5 bar	1



## CLA-VAL PRESSURE REDUCING VALVES (MODEL 90G-21 / 90A-21)

- Globe or Angle Pattern
- UL Listed
- Proven Reliable Design
- Available in Cast Bronze, Ductile Iron and Cast Steel
- Accurate Pressure Control
- In Line Service
- Grooved Ends (40 - 200 mm)

PART NUMBER	DESCRIPTION	BOX QTY
Datasheet No. 1.25		
RD90G-21-050RF	90G-21 Globe DN50 Pressure Reducing Valve, ANSI 150RF, (UL)	1
RD90G-21-065RF	90G-21 Globe DN65 Pressure Reducing Valvs, ANSI 150RF, (UL)	1
RD90G-21-080RF	90G-21 Globe DN80 Pressure Reducing Valve, ANSI 150RF, (UL)	1
RD90G-21-100RF	90G-21 Globe DN100 Pressure Reducing Valve, ANSI 150RF, (UL)	1
RD90G-21-150RF	90G-21 Globe DN150 Pressure Reducing Valve, ANSI 150RF, (UL)	1
RD90G-21-200RF	90G-21 Globe DN200 Pressure Reducing Valve, ANSI 150RF, (UL)	1
RD90A-21-080RF	90A-21 Angle DN80 Pressure Reducing Valve, ANSI 150RF, (UL)	1
RD90A-21-100RF	90A-21 Angle DN100 Pressure Reducing Valve, ANSI 150RF, (UL)	1
RD90A-21-150RF	90A-21 Angle DN150 Pressure Reducing Valve, ANSI 150RF, (UL)	1
RD90A-21-200RF	90A-21 Angle DN200 Pressure Reducing Valve, ANSI 150RF, (UL)	1



## CLA-VAL PRESSURE RELIEF VALVES (MODEL 50B-4KG1 / 2050B-4KG1)

- Globe or Angle Pattern
- FM Approved, UL Listed
- Fast Opening to Maintain Steady Line Pressure
- Accommodates Wide Range of Flow Rates
- Closes Gradually for Surge-Free Operation
- Adjustable Pressure Settings, Not Affected by Pressure At Valve Discharge
- Always arrange direct delivery

PART NUMBER	DESCRIPTION	BOX QTY
Datasheet No. 1.26		
RD50B-4KG1-080RF	50B-4KG1 Globe DN80 Pressure Relief Valve, ANSI 150RF, (FM, UL)	1
RD50B-4KG1-100RF	50B-4KG1 Globe DN100 Pressure Relief Valve, ANSI 150RF, (FM, UL)	1
RD50B-4KG1-150RF	50B-4KG1 Globe DN150 Pressure Relief Valve, ANSI 150RF, (FM, UL)	1
RD50B-4KG1-200RF	50B-4KG1 Globe DN200 Pressure Relief Valve, ANSI 150RF, (FM, UL)	1
RD2050B-4KG1-080RF	2050B-4KG1 Angle DN80 Pressure Relief Valve, ANSI 150RF, (FM, UL)	1
RD2050B-4KG1-100RF	2050B-4KG1 Angle DN100 Pressure Relief Valve, ANSI 150RF, (FM, UL)	1
RD2050B-4KG1-150RF	2050B-4KG1 Angle DN150 Pressure Relief Valve, ANSI 150RF, (FM, UL)	1
RD2050B-4KG1-200RF	2050B-4KG1 Angle DN200 Pressure Relief Valve, ANSI 150RF, (FM, UL)	1



## CLA-VAL DELUGE VALVE (MODEL 134-05)

- Globe or Angle Pattern
- UL Listed
- Threaded, Grooved and Flanged available
- Solenoid type

PART NUMBER	DESCRIPTION	BOX QTY
Datasheet No. 11.30		
RD13405G-150/080	80mm Deluge vlv Solenoid type 134-05, ANSI Class 150 (Globe), (UL)	1
RD13405G-150/100	100mm Deluge vlv Solenoid type 134-05, ANSI Class 150 (Globe), (UL)	1
RD13405G-150/150	150mm Deluge vlv Solenoid type 134-05, ANSI Class 150 (Globe), (UL)	1



## DRY BARREL FIRE HYDRANT (RD-FM1510)

- FM approved
- Valves comply with AWWA C502.
- Working pressure 250 PSI.
- Working temperature 0.6 °C to 52 °C.
- Available flanged inlet, ANSI or PN16.
- Seating type is resilient material to bronze seat construction.
- One pump nozzle, 4.5-4NH thread. Two hose nozzle, 2.5-7.5NH thread. Other size thread is available.
- 6" mechanical joint designed to ANSI/AWWA C153/A21.53.

PART NUMBER	DESCRIPTION	BOX QTY
Datasheet No. 12.01		
RDFM1510-915	30" Dry Barrel Fire Hydrant, fig1510, 3 way bury depth, (FM)	1
RDFM1510-1007	42" Dry Barrel Fire Hydrant, fig1510, 3 way bury depth,(FM)	1
RDFM1510-1220	48" Dry Barrel Fire Hydrant, fig1510, 3 way bury depth, (FM)	1
RDFM1510-1372	54" Dry Barrel Fire Hydrant, fig1510, 3 way bury depth, (FM)	1
RDFM1510-1524	60" Dry Barrel Fire Hydrant, fig1510, 3 way bury depth, (FM)	1
RDFM1510-1076	66" Dry Barrel Fire Hydrant, fig1510, 3 way bury depth, (FM)	1
RDFM1510-1824	72" Dry Barrel Fire Hydrant, fig1510, 3 way bury depth, (FM)	1



### CABINETS

Rapidrop supply both inlet cabinets and outlet cabinets as part of the Dry Riser range of products. Both cabinets are available in RAL 3002 red epoxy powder coated paint with UV protection to prevent fading or in Stainless Steel. Bespoke cabinets and special RAL colours can be manufactured to order.

Inlet and outlet vertical cabinets are available with a recess 30mm architrave or full surface mounted cabinet. All dry riser cabinets have a wired Georgian glass door complete with a slam shut lock, designed and manufactured in accordance to BS5041 Part 5.

### VALVES

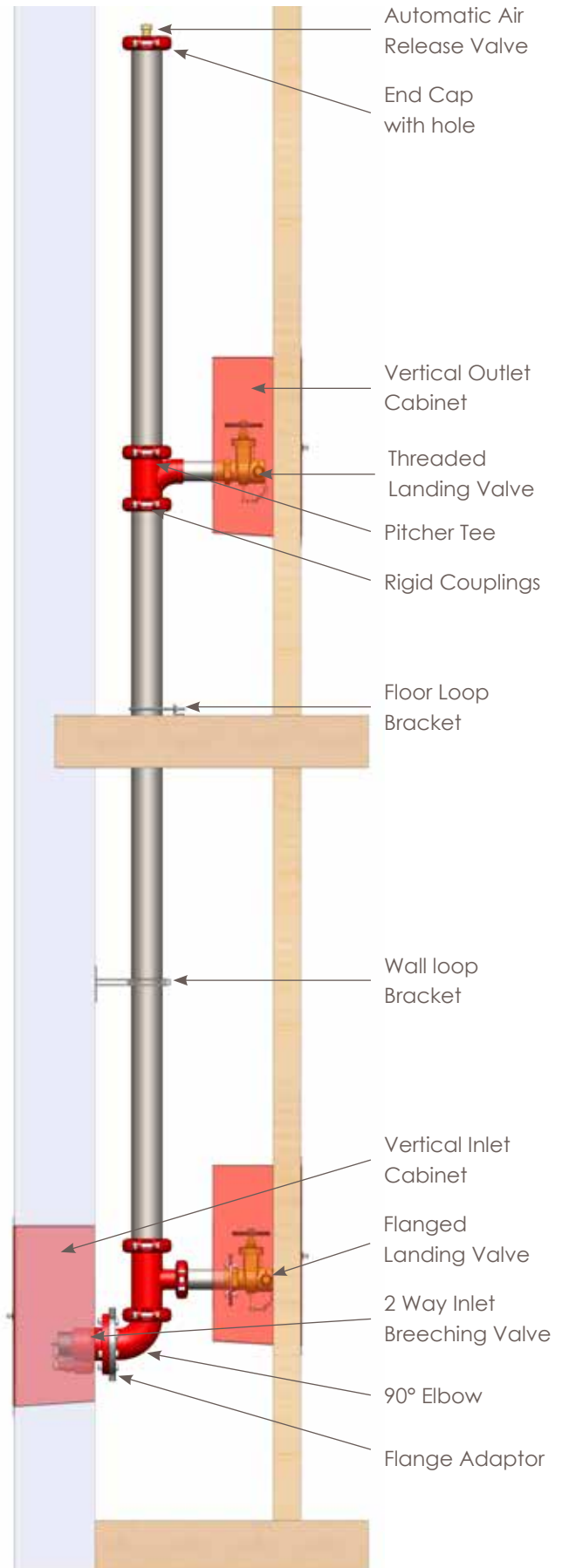
Rapidrop's range of valves are manufactured to the current British Standards using the highest quality materials and are rigorously tested.

Dry riser inlet breeching valves are available as a 2-way or 4-way and comply fully with the requirements of BS5041 Part 3

Rapidrop landing valves are available with either a 2.5" Table D Flange for older systems, 2.5" PN16 Flange for newer systems and male and female BSP inlet connections

### COUPLINGS

Rapidrop couplings and fittings are designed for use in grooved-end pipe fire protection systems to provide quick, secure and reliable solutions for joining pipe-to-pipe. Durable and easy installation, and ultimately, saving time and money on any project requiring grooved over welding.







## DRY RISER VALVES

- Breeching Inlet valves,
- 2 and 4 way to BS5041
- Landing Valve,
- Flanged and threaded to BS5041
- Air Release Valves

PART NUMBER	DESCRIPTION	BOX QTY
Datasheet No. 10.25, 10.26, 10.27, 10.28, 10.29, 10.30		
DRV008	2-Way Inlet Breeching Valve, PN16 flange	1
DRVD008	2-Way Inlet Breeching Valve, Table D flange	1
DRV009	4-Way Inlet Breeching Valve, PN16 flange	1
DRVD009	4-Way Inlet Breeching Valve, Table D flange	1
DRARV / RDARV25	Automatic Air Release Valve, 25mm	1
DRV002	Dry Riser Landing Valve Flanged, PN16 flange	1
DRV002D	Dry Riser Landing Valve Flanged, Table D flange	1
DRV006	Dry Riser Landing Valve, Male BSP threaded	1
DRV007	Dry Riser Landing Valve, Female BSP Threaded	1
DRV003	Dry riser landing valve, right angled pattern, PN16 flange	1
DRV004	Dry riser landing valve, oblique pattern, PN16 flange	1



## DRY / WET RISER CABINETS

- Dry & Wet Riser Cabinets
- Inlet & outlet cabinets
- Red Ral 3002 & stainless steel finish
- Cold rolled low carbon steel
- 6mm Georgian Wired
- Yale Slam Lock Keyed Alike
- Stainless Steel Piano hinge
- Bespoke cabinets on request

PART NUMBER	DESCRIPTION	BOX QTY
Datasheet No. 10.10, 10.11, 10.12, 10.13, 10.14, 10.15		
DRC004	Vertical outlet cabinet for landing valves & wet riser valves (Architrave & Door type) Red RAL 3002 (630mm x 460mm x 80mm)	1
DRC005	Vertical outlet cabinet for landing valves & wet riser valves (Architrave & Door type) stainless steel (630mm x 460mm x 80mm)	1
DRC008	Vertical outlet Cabinet for landing valves & wet riser valves (Full cabinet type) red RAL 3002, (630mm x 460mm x 275mm)	1
DRC009	Vertical outlet Cabinet for landing valves & wet riser valves (Full cabinet type) stainless steel (630mm x 460mm x 275mm)	1
DRC001	Vertical Inlet cabinet for 2 way inlet breeching valve (Architrave & door type) Red RAL 3002 (595mm x 395mm x 80mm)	1
DRC007	Vertical Inlet cabinet for 2 way inlet breeching valve (Architrave & door type) stainless steel (595mm x 395mm x 80mm)	1
DRC002	Vertical Inlet cabinet for 2 way inlet breeching valve (Full cabinet type) Red RAL 3002 (595mm x 395mm x 295mm)	1
DRC003	Vertical Inlet cabinet for 2 way inlet breeching valve (Full cabinet type) Stainless steel (595mm x 395mm x 295mm)	1
DRC010	Horizontal Inlet cabinet for 2 way inlet breeching valve (Full cabinet type) Red RAL 3002 (395mm x 595mm x 295mm)	1
DRC011	Horizontal Inlet cabinet for 2 way inlet breeching valve (Full cabinet type) Stainless steel (395mm x 595mm x 295mm)	1
DRC006	Square Inlet Cabinet for 4 way inlet breeching valve (Full cabinet type) Red RAL 3002 (595mm x 595mm x 295mm)	1
DRC013	Square Inlet Cabinet for 4 way inlet breeching valve (Full cabinet type) stainless steel (595mm x 595mm x 295mm)	1
DRP006	Replacement glass for cabinets (vertical) (004, 005, 008)	1
DRP017	Replacement glass for cabinets (001, 002, 003, 006, 007)	1



## WET RISER VALVES

- Breaching Inlet valves,
- 2 and 4 way to BS5041
- Landing Valve,
- Flanged and threaded to BS5041
- Air Release Valves

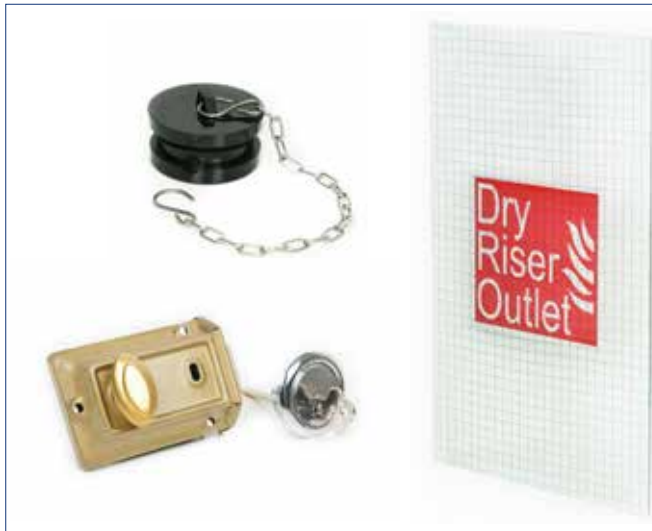
PART NUMBER	DESCRIPTION	BOX QTY
Datasheet No. 10.31, 10.35, 10.36		
DRV010	PRV BS9990 - Wet Riser Pressure Regulating Valve, PN25 flange	1
DRV020	PRV BS9990 - Wet Riser Pressure Regulating Valve, PN40 flange	1
RDDLTV065	Drain Line Gate Valve for Wet Riser, 2 ½" (65mm)	1
RDWRDV065	Drain Line Ball Valve for Wet Riser, 2 ½" (65mm)	1



## GROOVED COUPLINGS

- Galvanized Grooved Couplings
- Rigid Couplings
- Equal Tees
- Pitcher Tee
- 90°, 45°, 22.5°, 11.25° Elbows
- Flange Adaptors
- End Caps

PART NUMBER	DESCRIPTION	BOX QTY
Datasheet No. N/A		
DRG001	4" Grooved / Grooved Rigid Couplings, Galvanised	1
DRG005	4" Grooved Equal Tee, Galvanised	1
DRG009	4" Grooved x 4" grooved x 2 1/2" BSP thread, Pitcher Tee, Galvanised	1
DRG002	4" Grooved 90° Elbow, Galvanised	1
DRG003	4" Grooved 45° Elbow, Galvanised	1
DRG006	4" Grooved 22.5° Elbow, Galvanised	1
DRG007	4" Grooved 11.25° Elbow, Galvanised	1
DRG004	4" Flange Adaptors for inlet breeching valves galvanised	1
DRG008	4" Grooved End Cap c/w 1" BSP hole for Air release valve (concentric) Galvanised	1
DRG010	4" Grooved End Cap c/w 1" BSP hole for Air release valve (eccentric) Galvanised	1



## DRY / WET RISER ACCESSORIES

- Dry & wet riser accessories includes:
- Spare glass, support bracketry, cap and chains and locks and keys.

PART NUMBER	DESCRIPTION	BOX QTY
Datasheet No. N/A		
DRP012	1" Drain Valve, BSPT thread	1
DRP014	Instantaneous Valve Washers	1
DRP008	Replacement hand wheel for landing valves	1
DRP010	Replacement male Cap & Chain for Landing Valve	1
DRP011	Replacement Female Cap & Chain for Inlet Breeching Valve	1
DRP009	Replacement Female Cap & Chain for Drain Valve on Inlet Breeching Valve	1
DRP003 / RDSTRAP16	Leather Strap 16"	1
RDPAD20	Pad lock & Keys	1
DRP002	Wall Loop Bracket, Galvanised	1
DRP001	Floor Loop Bracket, Galvanised	1
DRP006	Replacement glass for cabinets (vertical) (004, 005, 008)	1
DRP017	Replacement glass for cabinets (001, 002, 003, 006, 007)	1
DRP007	Replacement Lock & Key for all cabinets	1
RDDRINLETSTICK	Dry Riser Inlet Sticker	1
RDDRINLETSTICKF	Dry Riser Inlet Sticker with adhesive front	1
RDDROUTLETSTICK	Dry Riser Outlet Sticker with adhesive rear	1
RDDROUTLETSTICKF	Dry Riser Outlet Window Sticker with adhesive front (200mm x 200mm)	1
RDFBINLETSTICK	Fire Brigade Inlet Sticker	1
RDFBINLETSTICKB	Fire Brigade Inlet Sticker with sticky back	1
RDFISTICK	RD Foam Inlet Sticker with sticky back (200mm x 200mm)	1
RDWRINLETSTICK	Wet Riser Inlet Label with "Wet Riser Inlet" text	1
RDWRINLETSTICKID	Wet Riser Inlet Label with "Wet Riser Inlet Internal" text	1
RDWRROUTLETSTICK	Wet Riser Outlet Label with "Wet Riser Outlet" text	1



## FLANGE JOINT SETS & GASKETS

- Flange joint sets to suit Dry Riser Landing Valves



PART NUMBER	DESCRIPTION	BOX QTY
Datasheet No. N/A		
RDFJS065	65mm flange joint set PN16 (set includes gasket, nuts, bolts & washers to suit DRV002 landing valve)	1
RDFJS065TD	65mm flange joint set, Table D (set includes gasket, nuts, bolts & washers to suit DRV002 landing valve)	1
RDFJS100	100mm flange joint set (set includes gasket, nuts, bolts & washers)	1
RDFJS100TD	100mm flange joint set Table D (set includes gasket, nuts, bolts & washers)	1
RDFJS150	150mm flange joint set PN16 (set includes gasket, nuts, bolts & washers)	1
RDGASKET065	65mm gasket to suit DRV002 landing valves, PN16	1
RDGASKET065TD	65mm gasket to suit DRV002D landing valves, table D flange	1
RDGASKET100	100mm gasket to suit DRV008 inlet breeching valves, PN16	1
RDGASKET100TD	100mm gasket to suit DRV008D inlet breeching valves, Table D flange	1



## International Heat Units

DN	Celsius °C	Kelvin °K	Fahrenheit °F	Réaumur °R
Celsius (°C)	1	K -273,16	0,555 x (°F -32)	1,25 x °R
Kelvin (°K)	°C + 273,16	1	0,555 x (°F + 459,68)	1,25 x (°R+ 218,53)
Fahrenheit (°F)	1,8 x °C + 32	1,8 x K -459,68	1	2,25 x °R + 32
Réaumur (°R)	0,8 x °C	0,8 x K -218,53	0,444 x (°F -32)	1

## Measurement Units

DN	millimetre mm	centimetre cm	metre m	kilometre km	foot ft	inch in	mile mi
mm	1	0.1	0.001	10 <sup>-6</sup>	3,28 x 10 <sup>-3</sup>	0,03937	6,21 x 10 <sup>-7</sup>
cm	10	1	0,01	10 <sup>-5</sup>	0,032808	0,3937	6,21 x 10 <sup>-6</sup>
m	1000	100	1	0,001	3,2808	39,37	6,21 x 10 <sup>-4</sup>
km	10 <sup>6</sup>	10 <sup>5</sup>	1000	1	3280,8	39370	0,621
ft	304,8	30,48	0,3048	0,0003048	1	12	1,89 x 10 <sup>-4</sup>
in	25,4	2,54	0,0254	2,54 x 10 <sup>-5</sup>	0,0833	1	1,577 x 10 <sup>-5</sup>
mi	1,609 x 10 <sup>6</sup>	160934	1609,34	1,60934	5279,9	63359,8	1

## Weight Units

	Gram (g)	Kilogram (kg)	Ton (t)	Pounds (lb)	Ounces (oz)	Grain (gr)
Gram (g)	1	0,001	10 <sup>-6</sup>	0,0022	0,035	15,432
Kilogram (kg)	1000	1	0,001	2,205	35,27	15432
Ton (t)	10 <sup>6</sup>	1000	1	2204,6	35273	1,5432 x 10 <sup>7</sup>
Pounds (lb)	453,6	0,4536	0,4536 x 10 <sup>-3</sup>	1	16	7000
Ounces (oz)	28,35	0,02835	0,2835 x 10 <sup>-4</sup>	0,0625	1	437,5
Grain (gr)	0,0648	0,648 x 10 <sup>-4</sup>	0,648 x 10 <sup>-7</sup>	1,428 x 10 <sup>-4</sup>	0,00228	1







# Conversion Tables – Metric BS4504



Nominal Bore	BS4504 Table 6						BS4504 Table 10						BS4504 Table 16						BS4504 Table 25						BS4504 Table 40						BS4504 Table 64									
	mm	in	Dia. in	Thick in	PCD in	No. of Holes	Diameter & Bolt Length	Dia. in	Thick in	PCD in	No. of Holes	Diameter & Bolt Length	Dia. in	Thick in	PCD in	No. of Holes	Diameter & Bolt Length	Dia. in	Thick in	PCD in	No. of Holes	Diameter & Bolt Length	Dia. in	Thick in	PCD in	No. of Holes	Diameter & Bolt Length	Dia. in	Thick in	PCD in	No. of Holes	Diameter & Bolt Length	Dia. in	Thick in	PCD in	No. of Holes				
15	3/8	80	12	55	4	M10.45	95	14	65	4	M12.50	95	14	65	4	M12.50	95	16	65	4	M12.55	95	16	65	4	M12.55	95	16	65	4	M12.55	105	20	75	4	M12.70	105	20	75	4
20	3/4	90	14	65	4	M10.50	105	16	75	4	M12.55	105	16	75	4	M12.55	105	18	75	4	M12.65	105	18	75	4	M12.65	130	22	90	4	M12.65	130	22	90	4	M16.70	130	22	90	4
25	1	100	14	75	4	M10.50	115	16	85	4	M12.55	115	16	85	4	M12.55	115	18	85	4	M12.65	115	18	85	4	M12.65	140	24	100	4	M12.65	140	24	100	4	M16.75	140	24	100	4
32	1 1/4	120	16	90	4	M12.55	140	16	100	4	M16.55	140	16	100	4	M16.55	140	18	100	4	M16.65	140	18	100	4	M16.65	155	24	110	4	M16.65	155	24	110	4	M20.75	155	24	110	4
40	1 1/2	130	16	100	4	M12.55	150	16	110	4	M16.55	150	16	110	4	M16.55	150	20	110	4	M16.70	150	20	110	4	M16.70	170	26	125	4	M16.70	170	26	125	4	M20.80	170	26	125	4
50	2	140	16	110	4	M12.55	165	18	125	4	M16.65	165	18	125	4	M16.65	165	20	125	4	M16.70	165	20	125	4	M16.70	180	26	135	4	M16.70	180	26	135	4	M20.80	180	26	135	4
65	2 1/2	160	16	130	4	M12.55	185	18	145	4	M16.65	185	18	145	4	M16.65	185	22	145	8	M16.70	185	22	145	8	M16.70	205	26	160	8	M16.70	205	26	160	8	M20.80	205	26	160	8
80	3	190	18	150	4	M16.65	200	20	160	8	M16.70	200	20	160	8	M16.70	200	24	160	8	M16.75	200	24	160	8	M16.75	215	30	170	8	M16.75	215	30	170	8	M20.90	215	30	170	8
100	4	210	18	170	4	M16.65	220	20	180	8	M16.70	220	20	180	8	M16.70	220	26	190	8	M20.80	220	26	190	8	M20.80	250	32	200	8	M20.80	250	32	200	8	M24.90	250	32	200	8
125	5	240	20	200	8	M16.70	250	22	210	8	M16.70	250	22	210	8	M16.70	250	28	220	8	M24.80	250	28	220	8	M24.80	270	34	240	8	M24.80	270	34	240	8	M27.100	270	34	240	8
150	6	265	20	225	8	M16.70	285	22	240	8	M20.70	285	22	240	8	M20.70	285	28	250	8	M24.80	285	28	250	8	M24.80	300	36	280	8	M24.80	300	36	280	8	M30.105	300	36	280	8
175	7	-	-	-	-	-	315	24	270	8	M20.75	315	24	270	8	M20.75	315	30	280	12	M24.80	315	30	280	12	M24.80	350	40	310	12	M27.90	350	40	310	12	M30.120	350	40	310	12
200	8	320	22	280	8	M16.70	340	24	295	8	M20.75	340	24	295	12	M20.75	340	30	310	12	M24.90	340	30	310	12	M24.90	375	46	345	12	M27.90	375	46	345	12	M33.130	375	46	345	12
250	10	375	24	335	12	M16.70	395	26	350	12	M20.80	395	26	350	12	M20.80	395	38	370	12	M24.90	395	38	370	12	M24.90	450	54	400	12	M30.120	450	54	400	12	M33.150	450	54	400	12
300	12	440	24	395	12	M20.70	445	26	400	12	M20.80	445	26	400	12	M20.80	445	40	430	16	M27.110	445	40	430	16	M27.110	515	62	460	16	M30.140	515	62	460	16	M33.160	515	62	460	16
350	14	490	26	445	12	M20.80	505	28	460	16	M20.80	505	28	460	16	M20.80	505	42	490	16	M30.125	505	42	490	16	M30.125	580	72	525	16	M33.150	580	72	525	16	M37.180	580	72	525	16
400	16	540	28	495	16	M20.80	565	32	515	16	M24.90	565	32	515	16	M24.90	565	46	550	16	M33.140	565	46	550	16	M33.140	660	78	585	16	M36.160	660	78	585	16	M39.200	660	78	585	16
450	18	595	30	550	16	M20.90	615	36	565	20	M24.105	615	36	565	20	M24.105	615	52	600	20	M33.140	615	52	600	20	M33.140	685	84	610	20	M36.170	685	84	610	20	-	685	84	610	20
500	20	645	30	600	20	M20.90	670	38	620	20	M24.105	670	38	620	20	M24.105	670	58	660	20	M33.155	670	58	660	20	M33.155	755	96	670	20	M39.180	755	96	670	20	-	755	96	670	20
600	24	755	32	705	20	M24.90	780	42	725	20	M27.120	780	42	725	20	M27.120	780	66	770	20	M36.165	780	66	770	20	M36.165	845	112	770	20	-	845	112	770	20	-	845	112	770	20







# Rapidrop Global Ltd



## Rapidrop: A Global company, British manufactured

British based manufacturer of fire sprinkler system products with international sales and distribution serving the needs of the fire detection and suppression industry worldwide.

UK	Europe	Middle East & North Africa
<p><b>Rapidrop Global Ltd</b> Head Office Rutland Business Park Newark Road Peterborough PE1 5WA United Kingdom</p> <p>Telephone: +44 (0)1733 847 510 Facsimile: +44 (0)1733 553 958 E-mail: rapidrop@rapidrop.com</p>	<p><b>Rapidrop Europe Ltd</b> Harcourt Centre Block 3 Dublin 2 Ireland</p> <p>Telephone: +353 1 447 0550 Facsimile: +44 (0)1733 553 958 E-mail: rapidrop@rapidrop.com</p>	<p><b>Rapidrop Middle East Trading LLC</b> P.O Box 232031 Dubai - UAE Telephone: +971 4 8856671 Facsimile: +971 4 8856672 Sharjah - Sales Office Telephone : +9716 5562669 Abu Dhabi - Sales Office Telephone : + 971 2 5528228 E-mail: uae@rapidrop.com</p>
Qatar	India	Asia Pacific
<p><b>Rapidrop Qatar LLC</b> Salwa Road P.O.Box 17481 Doha Qatar</p> <p>Telephone: +974 4 0161484/482 Facsimile: +974 4 0161483 E-mail: uae@rapidrop.com</p>	<p><b>Rapidrop India Pvt Ltd</b> Level 13, Office No. 1348 Platinum Techno Park Plot No.17/18, Sector -30A Vashi, Navi Mumbai, 400705 India</p> <p>Telephone: +91 22 61818348 Facsimile: +91 22 61214952 E-mail: rapidrop@rapidrop.com</p>	<p><b>Rapidrop International</b> P.O Box 232031 Dubai - UAE</p> <p>Telephone: +971 6 566 2773 Facsimile: +971 4 8856672 E-mail: rdi@rapidrop.com</p>
South Africa	Saudi Arabia	Approvals
<p><b>Rapidrop Global Ltd</b> Dachser South Africa (Pty) Ltd South Africa Country Office Air &amp; Sea Logistics 9 Sim Road Pomona, Kempton Park 1619 Office Telephone: +27(0)11 396 1113 Telephone: +27(0)727601627 E-mail: rapidrop@rapidrop.com</p>	<p><b>Sales Office</b> Imam Saud Road Cross Abu Berker Aj Siddiq PO BOX 54092 Riyadh 11514 Kingdom of Saudi Arabia</p> <p>Telephone: +966 5569 80094 E-mail: saudi@rapidrop.com</p>	<p>The Rapidrop range includes products which have internationally recognised approvals and listings from FM/UL/VDS and LPCB.</p> <p>    </p> <p><small>Assessed to ISO 9001:2015 Cert.LPCB ref. 568</small></p>

v1.0

