



Vertical Outlet Full Cabinet for Wet Riser PRV

DRC008W (red)

DRC009W (stainless steel)

Product Description

The DRC008W & DRC009W vertical outlet cabinets are full cabinets designed for easy access to the wet riser valve. The cabinet has a 38mm surrounding flange and is available in red RAL3002 (DRC008W) or in Stainless Steel (DRC009W) finish.

DRC008W cabinet is painted with Epoxy RAL3002 powder paint with UV protection to prevent colour fading.

The cabinets have a wired Georgian glass door complete with a slam shut lock and stainless steel piano hinge.

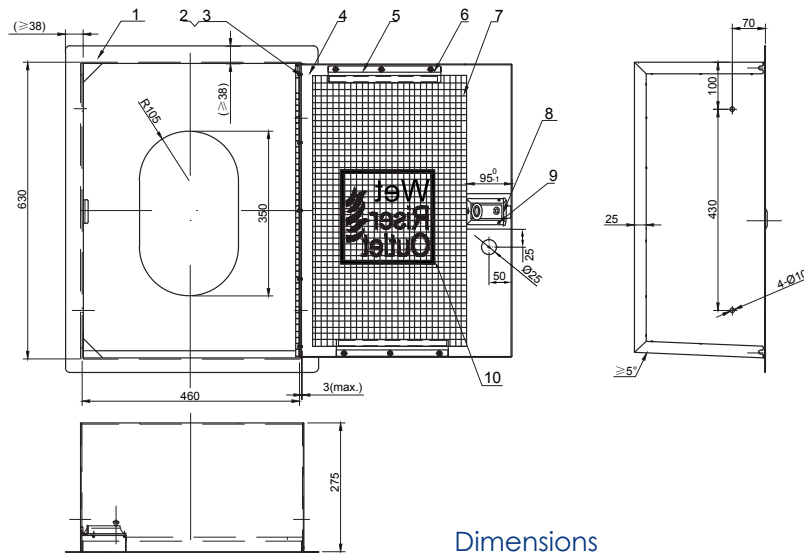


Standards

Designed and manufactured in accordance to BS5041 Part 4.

Outdoor Application

For outdoor applications Rapidrop Global recommend Stainless Steel cabinets.



Material Specifications

Item	Part Description	Qty	Material
1	Cabinet Shell	1	Carbon Steel/ Stainless Steel
2	Hinge	1	Stainless Steel 304
3	Rivet	10	Aluminium
4	Door	1	Carbon Steel/ Stainless Steel
5	Press Plate	1	Carbon Steel/ Stainless Steel
6	Locking Nut	6	Copper
7	Wire Glass	1	Glass 575 x 332 x 6mm
8	Latch Lock	1	
9	Lock Screw	3	Steel
10	Marking	1	

Dimensions

Dimensions			Approx Weight Kg
Height mm	Width mm	Depth mm	
630	460	275	20

Specifications

	DRC008W	DRC009W
Cabinet & Door	Carbon Steel	Stainless Steel 304
Finish	Red RAL 3002	Stainless Steel
Surrounding Flange	38mm wide all around	
Glass	6mm Georgian Wired	
Lock	Slam Shut Lock Keyed Alike	
Hinge	Stainless Steel piano hinge	