



90° Grooved Elbow Model DRG002

Material Specification

Cast Iron

Finish

Galvanised

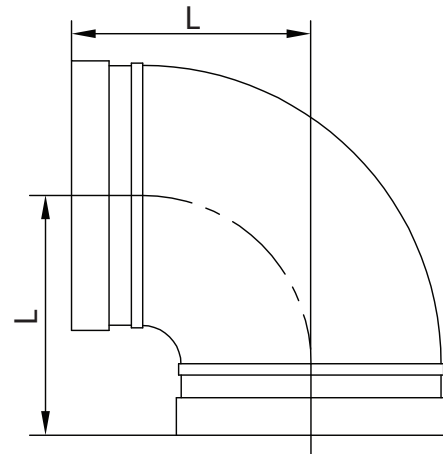
Working Pressure

Max. Working Pressure 34.5 bar (500 psi) FM Approved

Max. Working Pressure 27.5 bar (400 psi) UL Listed

Groove Connection

Groove as per ISO6182/ AWWA C606.



Model Number (Galvanised)	Nominal Size mm/in	Pipe O.D mm/in	Max. Working Pressure bar/psi		Dimension L mm/in
			FM	UL	
RDDR002	100 4"	114.3 4.5"	34.5 500	27.5 400	101.5 3.98"

Manufactured by Weifang 100Tong Casting Co. Ltd. who hold the FM Approval and UL Listing

DS: 10.46
Issue A
19/01/2021
© 2021 Rapidrop

Rapidrop Global Ltd
T: +44 (0) 1733 847 510 F: +44 (0) 1733 553 958
e: rapidrop@rapidrop.com
w: www.rapidrop.com