



Grooved Equal Tee Model DRG005

Material Specification

Cast Iron

Finish

Galvanised

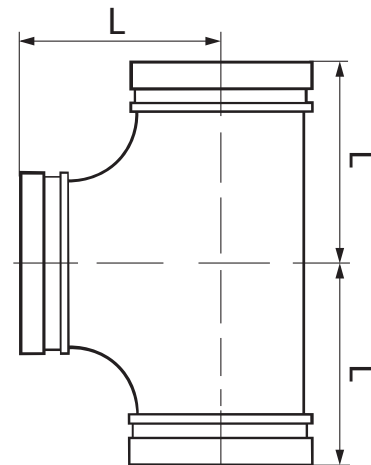
Working Pressure

Max. Working Pressure 34.5 bar (500 psi) FM Approved

Max. Working Pressure 27.5 bar (400 psi) UL Listed

Groove Connection

Groove as per ISO6182/ AWWA C606.



Model Number (Galvanised)	Nominal Size mm/in	Pipe O.D mm/in	Max. Working Pressure bar/psi		Dimension L mm/in
			FM	UL	
RDDR005	100 4"	114.3 4.5"	34.5 500	27.5 400	127 5"

Manufactured by Weifang 100Tong Casting Co. Ltd. who hold the FM Approval and UL Listing