



Solenoid Control Valve 134-05

General Description

The Rapidrop Model 134-05 Solenoid Control Valve is an on-off control valve which either opens or closes upon receiving an electrical signal to the solenoid pilot control. This valve consists of a 100G/2100G UL Listed Hytrol Main Valve, a three-way solenoid valve and an auxiliary pilot valve. This pilot control system alternately applies pressure to/or relieves pressure from the diaphragm chamber of the main valve. It is furnished either normally open (de-energize solenoid to open) or normally closed (energize solenoid to open).

Features

- UL Listed Main Valves 3 -12 Inch sizes
- Fast Acting Solenoid Control
- Reliable Drip Tight Shut-off
- Simple Design, Proven Reliable
- Easy Installation & Maintenance



Specification

Size	-Globe: 2 1/2" - 12" flanged -Globe: 2 1/2" - 8" grooved -Angle: 2 1/2" - 12" flanged
End Connections	-Ductile Iron 150 ANSI B16.42 flanged -Ductile Iron 300 grooved -Cast Steel 150 ANSI B16.5 flanged
Maximum Working Pressure	- 150 class - 17.2bar (250 psi) Ductile Iron - 150 class - 19.6bar (285 psi) All other materials - 300 class - 20.6bar (300 psi) All materials
Temperature Range	Water: 82°C (180° F) maximum

Materials

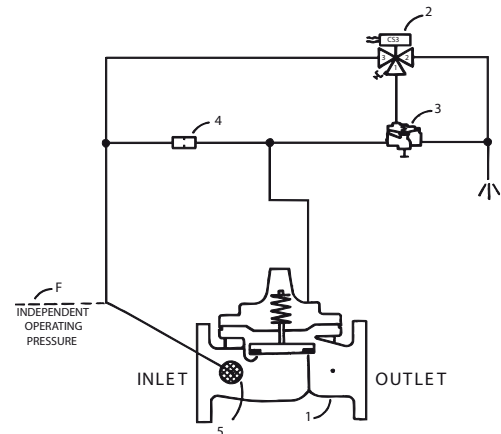
Main valve body & cover	Ductile Iron ASTM A-536 Cast Steel ASTM A216-WCB Naval Bronze ASTM B61 Nickel Aluminum Bronze ASTM B148 Super Duplex Stainless Steel Stainless Steel ASTM A743-CF-8M
Main valve trim	Bronze / Stainless Steel
Pilot control system	Cast Bronze ASTM B62 UL Listed 3" - 12"

Cover Capacity

Valve Size	3"	4"	6"	8"	10"	12"
Displacement	0.080 gal	0.169 gal	0.531 gal	1.26 gal	2.51 gal	4.00 gal

Schematic Diagram

- | Item | Description |
|------|--|
| 1 | 100G/2100G UL Listed Hytrol Main Valve |
| 2 | CS3 Solenoid Control |
| 3 | 100-01 Hytrol Pilot Valve |
| 4 | X58C Restriction Orifice |
| 5 | X46A Flow Clean Strainer |



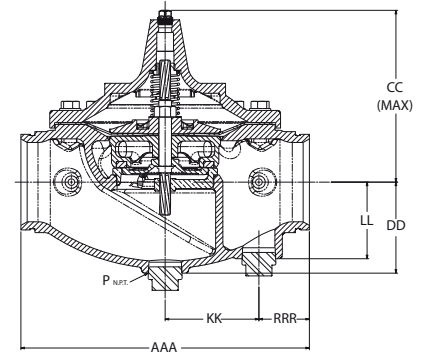
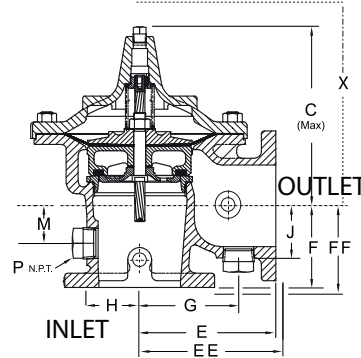
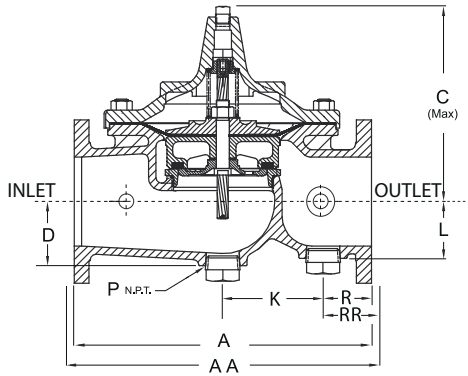
		Functional Data								
Valve size			mm	65*	80	100	150	200	250	300
			inch	2 1/2*	3	4	6	8	10	12
CV Factor	Globe Pattern	Gal/Min (gpm)	85	115	200	440	770	1245	1725	
		Litres/Sec (l/s)	20	27.6	48	105.6	184.8	299	414	
	Angle Pattern	Gal/ Min (gpm)	101	139	240	541	990	1575	2500	
		Litres/Sec (l/s)	24	33.4	58	130	238	378	600	

Manufactured by Cla-Val who hold the UL Listing

*Not UL Listed

Solenoid Control Valve

134-05



Valve Size mm (inch)	DN65 (2 1/2")*	DN80 (3")	DN100 (4")	DN150 (6")	DN200 (8")	DN250 (10")	DN300 (12")
A (ANSI 150 flange)	279 (10.98)	305 (12.00)	381 (15.00)	508 (20.00)	645 (25.38)	756 (29.75)	864 (34.00)
AA (ANSI 300 flange)	295 (11.61)	337 (13.25)	397 (15.62)	533 (21.00)	670 (26.38)	791 (31.12)	902 (35.50)
AAA (grooved)	279 (10.98)	318 (12.50)	381 (15.00)	508 (20.00)	645 (25.38)	--	--
B Dia.	203 (8.00)	232 (9.12)	292 (11.50)	400 (15.75)	508 (20.00)	600 (23.62)	711 (28.00)
C Max.	192 (7.55)	208 (8.19)	270 (10.62)	340 (13.38)	406 (16.00)	435 (17.12)	533 (21.00)
CC Max.	175 (6.88)	191 (7.50)	252 (9.94)	308 (12.13)	381 (15.00)	--	--
D	--	65 (2.56)	81 (3.19)	110 (4.31)	131 (5.16)	216 (8.50)	239 (9.39)
DD	--	92 (3.62)	114 (4.50)	160 (6.31)	198 (7.81)	--	--
E (ANSI 150 flange)	140 (5.51)	178 (7.00)	216 (8.50)	254 (10.00)	322 (12.69)	378 (14.88)	432 (17.00)
EE (ANSI 300 flange)	149 (5.86)	--	224 (8.81)	267 (10.50)	350 (13.19)	--	451 (17.75)
F (ANSI 150 flange)	102 (4.01)	102 (4.00)	126 (4.97)	152 (6.00)	203 (8.00)	219 (8.62)	349 (13.75)
FF (ANSI 300 flange)	110 (4.33)	--	134 (5.28)	165 (6.50)	216 (8.50)	--	368 (14.50)
G	--	121 (4.75)	151 (5.94)	184 (7.25)	216 (8.50)	267 (10.50)	432 (17.00)
H	--	68 (2.69)	71 (2.81)	99 (3.88)	135 (5.31)	167 (6.56)	178 (7.00)
J	--	65 (2.56)	71 (2.81)	97 (3.81)	122 (4.81)	148 (5.81)	178 (7.00)
K	--	178 (7.00)	102 (4.03)	171 (6.75)	432 (17.00)	394 (15.50)	533 (21.00)
KK	--	89 (3.50)	116 (4.56)	165 (6.50)	178 (7.00)	--	--
L	--	65 (2.56)	71 (2.81)	97 (3.81)	122 (4.81)	216 (8.50)	239 (9.39)
LL	--	83 (3.25)	102 (4.00)	135 (5.31)	178 (7.00)	--	--
M	--	45 (1.75)	61 (2.41)	70 (2.75)	102 (4.00)	108 (4.24)	222 (8.75)
N NPT	1/2 -14	1/2 -14	3/4 -14	3/4 -14	1 - 11-1/2	1 - 11-1/2	1 - 11-1/2
P NPT	--	1-1/4 - 11-1/2	2 - 11-1/2	2 - 11-1/2	2 - 11-1/2	2 - 11-1/2	2 - 11-1/2
R (ANSI 150 flange)	--	64 (2.50)	88 (3.47)	83 (3.25)	106 (4.19)	181 (7.12)	165 (6.50)
RR (ANSI 300 flange)	--	79 (3.12)	96 (3.78)	95 (3.75)	119 (4.69)	198 (7.81)	184 (7.25)
RRR (grooved)	--	70 (2.75)	75 (2.94)	89 (3.50)	145 (5.69)	--	--
X Pilot System	--	381 (15.00)	432 (17.00)	737 (29.00)	787 (31.00)	838 (33.00)	889 (35.00)
Y Pilot System	--	279 (11.00)	305 (12.00)	508 (20.00)	559 (22.00)	610 (24.00)	660 (26.00)
Z pilot System	--	279 (11.00)	305 (12.00)	508 (20.00)	559 (22.00)	610 (24.00)	660 (26.00)

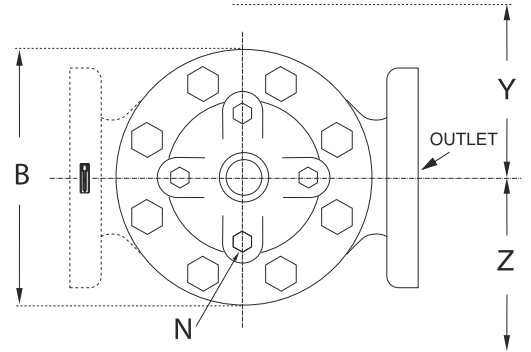
*Not UL Listed

Manufactured by Cla-Val who hold the UL Listing



Solenoid Control Valve
134-05

Temperature Range	Water: 82°C (180°F) maximum	
Fluids	Air, water, light oils	
Rubber Parts	Buna-N® Synthetic Rubber	
Body	Brass ASTM B283	
Enclosure	NEMA Type 1, 2, 3, 4, 4X general purpose watertight NEMA Type 6, 6P, 7, 9 watertight Explosion Proof available at extra cost	
Voltage	110, 220 - 50Hz AC 24, 120, 240, 480 - 60Hz AC 6, 12, 24, 120, 240 - DC Other available at extra cost	
Max operating pressure differential	13.7 bar (200 psi)	
Coil	Insulation molded Class	F
	Watts AC	6
	AC Volt Amps Inrush	30
	AC Volt Amps Holding	16
	Watts DC	10.6
Solenoid Manual operator included.		



When Ordering,
Please Specify

1. Model 134-05
2. Valve Size
3. Pattern-Globe or Angle
4. Pressure Class
5. Threaded, Flanged or Grooved
6. Material Desired
7. Energized or De-energized to open Main Valve
8. Solenoid Enclosure Voltage & Hertz
9. When Vertically Installed

Important Installation Information

- Rapidrop *Solenoid Control Valve* must only be installed by a competent person in accordance with requirements of the local authority having jurisdiction. Deviations from these standards will invalidate warranty.
- It is the responsibility of the installing contractor to include a copy of this document in the sprinkler system installation, operating and maintenance manual.
- Alterations to Rapidrop products will void any warranty.
- *Solenoid Control Valve* should be inspected and maintained during routine sprinkler system inspections by a competent person in accordance with national codes/requirements.
- Failure to follow these instructions could cause improper operation, resulting in personal injury and/or property damage.
- For further details and technical support please contact your Rapidrop sales representative.

Manufactured by Cla-Val who hold the UL Listing