

Fire pump/Proving pipe test meter

Model: Turbo-Lux 3 PP

Features

- Nominal size BSP 3" thread male or 3" grooved connection
- Measuring range from 375 - 2100 lpm
- Hazard classification:
OH1, OH2, OH3, OH3 special
- Easy to install with threaded or grooved connection
- Bypass Meter installation just with one screw (no tools required)
- Horizontal, vertical or any other flow direction possible
- One size bypass meter fits both threaded and grooved



Technical Data

Measuring principle	Orifice plate flowmeter with variable flowmeter as indication
Nominal Size	BSP 3" thread male or 3" grooved ends
Max. Working Pressure	16 bar (232 psi)
Hydrostatically Strength Pressure Strength	40 bar (580 psig) for 5 min. (LPCB)
Measuring Accuracy	±5.0 % of measured value (LPCB)
Temperature Range	+4 °C to +50 °C (+39°F to +122°F)
Medium	Water

Materials Specifications

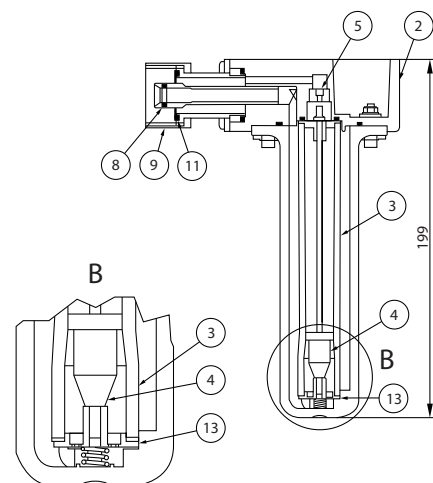
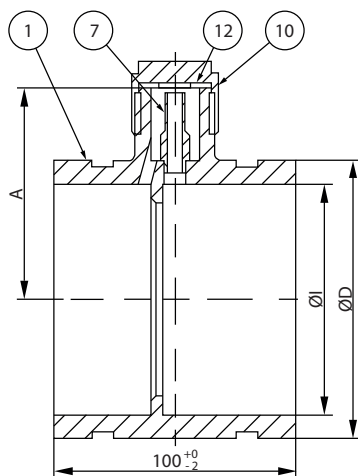
Description	Material
Orifice plate	Housing tube in stainless steel with male threaded or grooved ends
Differential Pressure Tube	Brass
Float	Stainless Steel
Bypass Orifice	Stainless Steel
Filter	Stainless Steel
Seal	NBR

- | | |
|-------------------------|-------------|
| ① Housing tube | ⑧ O-Ring |
| ② Bypass meter | ⑨ Screw cap |
| ③ Measuring tube | ⑩ Cap |
| ④ Float | ⑪ O-Ring |
| ⑤ Bypass orifice | ⑫ Seal |
| ⑦ Differential pressure | ⑬ Filter |

Ordering Codes

Description	Ordering Codes
DN80 (3") BSP Threaded Test Meter	RDTL3-080-PP0
DN80 (3") Grooved Test Meter	RDTL3-080-PP1

Note: Bypass meter is included



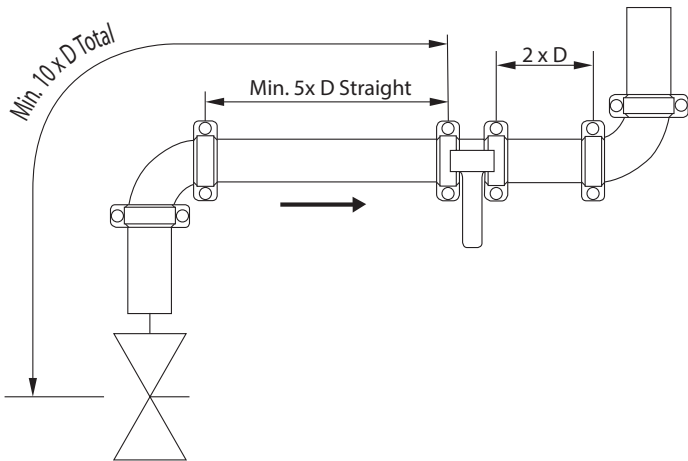
Manufactured by Mecon who hold LPCB Certificate

Fire pump/Proving pipe test meter

Model: Turbo-Lux 3 PP

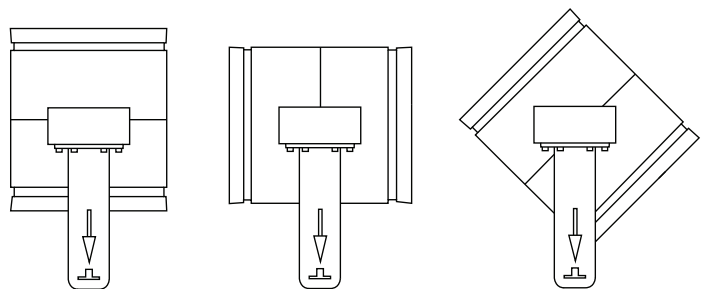
Installation of the orifice plate

At least 5x D (D=pipe diameter) straight section of the pipe must be maintained before the orifice plate and 2x D after. Total 10x D inlet path is required if a valve, pump or pipe fitting is mounted before the flow meter.



Installation and mode of operation

The orifice plate flowmeter Turbo-Lux 3 PP consists of an orifice plate unit that is installed in the pipework and a detachable bypass meter. The bypass meter contains a conical glass tube with float. The water flows vertically from top to bottom through the flow tube at the upper end of a side panel. An inlet filter largely prevents the ingress of foreign bodies. The Inlet and outlet ports for the bypass are arranged concentrically to ensure easy alignment with the orifice plate unit.



Mounting the bypass meter

- The bypass meter is calibrated with the delivered orifice plate. Before installation please ensure that the serial numbers of the orifice plate and the bypass meter match.
- The bypass meter must always be mounted vertically so that the float can move freely within the tube.
- The nut and the cap should only be hand tightened.
- Lubricate both the nut and cap threads.
- The tube should be filled with water slowly to avoid water hammer damage.
- Please ensure that the pipeline is empty before removing the bypass meter.