



## Flexible Sprinkler Connection with Sandwich Panel Kit

### Description

Rapidrop Flexible Sprinkler Hose connects the sprinkler to the branch pipe. The flexible stainless steel hose and sandwich kit fittings are particularly suited for use in difficult ceiling applications. This kit can be adapted to most of the existing installations. The Rapidrop kit comes with a stainless steel flexible hose, a branch line connection inlet nipple and a sprinkler reducer with external thread. Flexible stainless steel hoses are available in lengths 780mm - 3200mm (31" - 125") with either 1/2" or 3/4" BSPT/NPT threaded outlets.

### Flexible Hose Technical Details

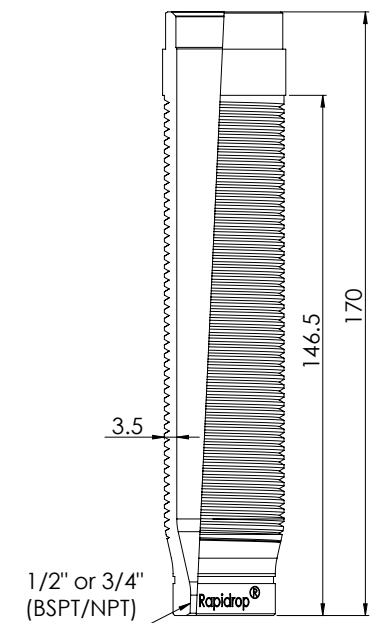
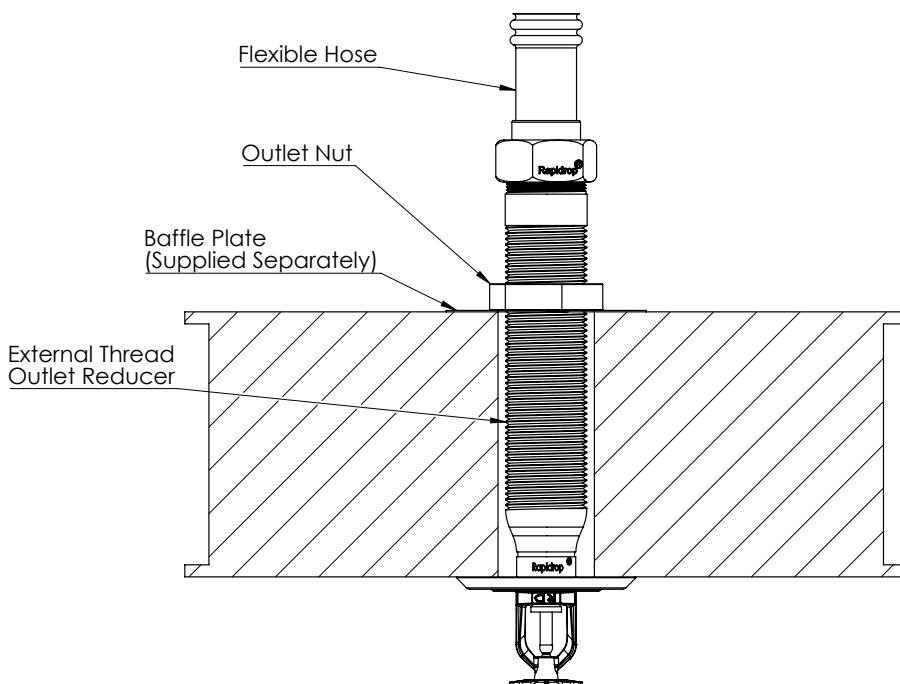
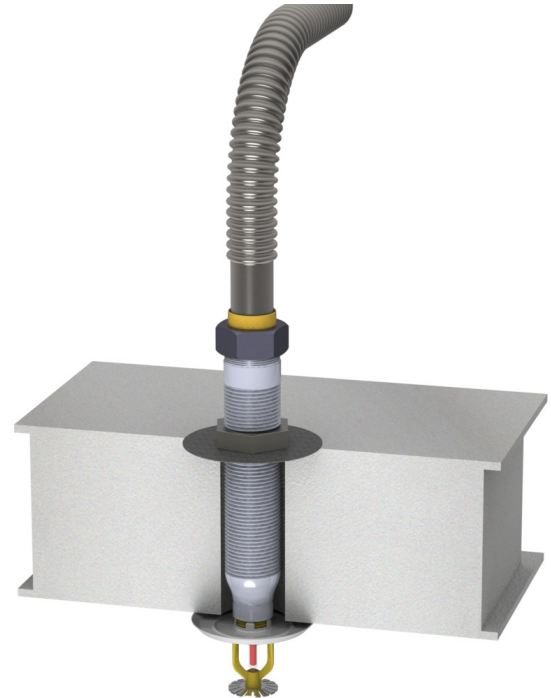
For Flexible Hose technical details refer to:

Datasheet 3.03 for SP Flexible Hose

Datasheet 3.11 for SMB Flexible Hose

### Material Specification

Description	Material
Flexible Hose	Stainless Steel 304
Outlet Nut	Carbon Steel, Zinc Plated
Isolation ring	Nylon 66
Seal	NBR
Outlet Reducer	Carbon Steel, Zinc Plated
Inlet Nipple	Carbon Steel, Zinc Plated



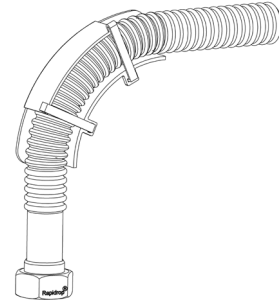


# Flexible Sprinkler Connection with Sandwich Panel Kit

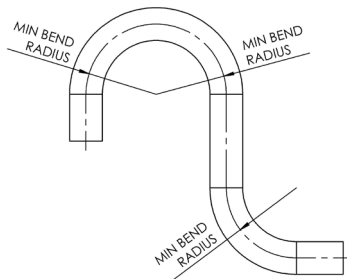
### Important Installation Information

- Rapidrop Flexible Sprinkler Hose must only be installed by an appropriately qualified person (e.g. LPS 1048 or equivalent) in accordance with requirements of the local authority having jurisdiction. Deviations from these standards will void any warranty.
- Alterations to Rapidrop products will void any warranty.
- Rapidrop Flexible Sprinkler Hose, brackets and fittings must not be intermixed with other manufacturer's products.
- The flexible stainless steel hose should NOT be installed through heating ducts and fire compartments, therefore not to be used with penetration seals, fire stopping cavity barriers, and anything further indicated by approval bodies and sprinkler rules.
- Rapidrop Flexible Sprinkler Hose is designed for use only in wet sprinkler systems, it should not be installed in dry, alternate or deluge systems.
- The flexible stainless steel hose should only be installed inside buildings and protected from freezing temperatures.
- Flexible stainless steel hose and fittings have limited flexibility and are intended only to be installed with bends at their respective minimum bend radii.

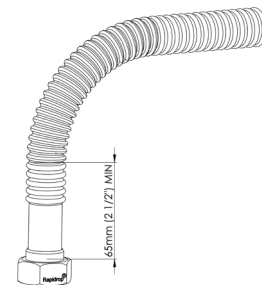
- Where required by the Authority Having Jurisdiction a Rapidrop Minimum Radius Indicator must be fitted to each and all bends which exceed 45 degrees. If the bend exceeds 90 degrees two Minimum Radius Indicators are to be used adjacent.



- It is the responsibility of the installing contractor to include a copy of this document in the sprinkler system installation, operating and maintenance manual.
- The flexible stainless steel hose should not be bent within 65 mm (2 1/2 inches) of its connection nuts.



- It is the responsibility of the system designer to verify suitability for use of chemical exposure, water additives, temperature, UV exposure. If in doubt contact the manufacturer.
- System designer or responsible person should check with the Rapidrop sales representative that the flexible hose meets the local water regulations.
- The flexible hose should not be bent or manipulated when pressurized.
- Hose connections should not be tightened or adjusted when system is pressurized.
- Hose connections should not be tightened by rotating the nipple or reducer as it may result in damage to the seal.



- The owner is responsible for maintaining the fire protection system in proper operating condition.
- Flexible hose to be inspected and maintained during routine sprinkler system inspections by a qualified inspection service in accordance with national codes/requirements.
- For further details and technical support please contact your Rapidrop sales representative.
- To avoid damaging the seal flexible hose shouldn't be left hanging without support once mounted to the main pipe.
- **Failure to follow these instructions could cause improper sprinkler operation, resulting in serious personal injury and/or property damage.**