



Flanged Y-Type Strainer Fig. YSF175

General Description

Rapidrop Figure YSF175 Strainers filter out the dirt, rust and other debris in the water flow protecting the valves and other equipment in the piping system. All strainers are equipped with a flanged retainer cap which allows easy access to the stainless steel screen for cleaning.

Rapidrop Figure YSF175 Strainer should be installed horizontally with the cap facing downwards with access to remove the basket/screen.

Connections

- ANSI B16.1 Class 125
- PN16

Maximum Working Pressure

12 bar (175 psi)

Temperature Range

-10 °C to 120 °C

Coating

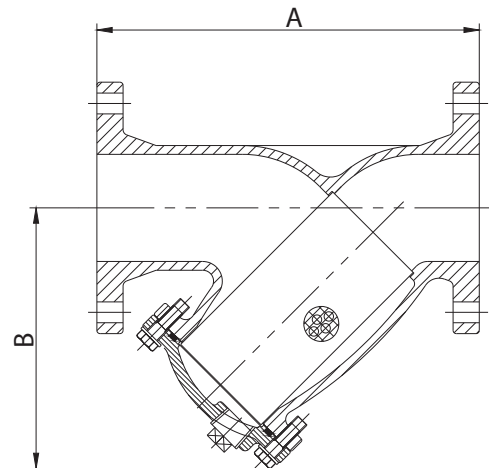
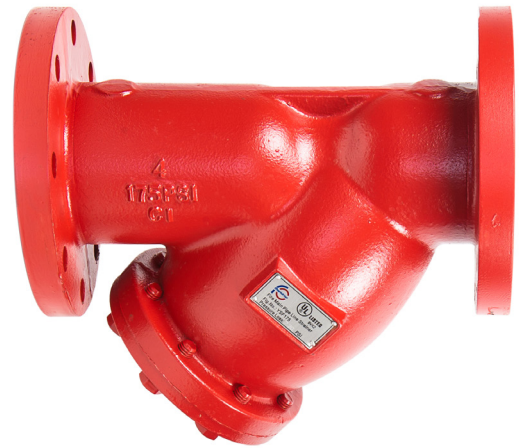
Internally & externally Spray Painted.
Fusion Bonded Epoxy Coating available on request.

Approvals

UL Listed

Standard Screen

Sizes		Hole Diameter (mm)	Free Flow Area (%)
mm	Inch		
DN65	2.5"	3	53.6 %
DN80 - DN125	3" - 5"	4.3	55.4 %
DN150 - DN250	6" - 10"	6.0	63.0 %
DN300	12"	6.3	40.7 %



Dimensions

Sizes		Dimensions		Plug Size	Weight (kg)	Ordering Codes	
mm	Inch	A	B			PN16	ANSI
DN65	2 1/2"	273	140	1"	14	RDYSTRAIN065	RDYSTRAIN065A
DN80	3"	295	203	1"	17.3	RDYSTRAIN080	RDYSTRAIN080A
DN100	4"	352	245	1"	32	RDYSTRAIN100	RDYSTRAIN100A
DN125	5"	416	290	1 1/4"	47.5	RDYSTRAIN125	RDYSTRAIN125A
DN150	6"	470	305	1 1/2"	62.5	RDYSTRAIN150	RDYSTRAIN150A
DN200	8"	543	410	1 1/2"	107.5	RDYSTRAIN200	RDYSTRAIN200A
DN250	10"	660	480	2"	175	RDYSTRAIN250	RDYSTRAIN250A
DN300	12"	770	560	2"	253	RDYSTRAIN300	RDYSTRAIN300A



Flanged Y-Type Strainer Fig. YSF175

Material Specification

Component	Material
Body	Cast Iron ASTM A126 Class B
Cover	Cast Iron ASTM A126 Class B
Screen	Stainless Steel AISI 304
Gasket	PTFE / Graphite
Plug	Malleable Iron A47 22010

Cleaning Process

1. Notify any authority having jurisdiction and all personnel who may be affected prior to commencing inspection.
2. Close water supply, isolate and drain the system.
3. Unscrew the drain plug and drain the strainer.
4. Remove the bolts, the cover and the gasket.
5. Make sure the screen is clean from dirt and rust.
6. Replace gasket if necessary.
7. Reassemble in reverse order.

Important Installation Information

- Rapidrop Figure YSF175 strainer must only be installed by a competent person in accordance with requirements of the local authority having jurisdiction. Deviations from these standards will invalidate warranty.
- It is the responsibility of the installing contractor to include a copy of this document in the sprinkler system installation, operating and maintenance manual.
- Alterations to Rapidrop products will void any warranty.
- Figure YSF175 strainer should be inspected and maintained during routine sprinkler system inspections by a competent person in accordance with national codes/requirements.
- Failure to follow these instructions could cause improper operation, resulting in personal injury and/or property damage.
- For further details and technical support please contact your Rapidrop sales representative.