



# Data Sheet 6.25

## Issue A

### Portable Wet Riser, Dry Riser System & Hydrant Tester Mag-Flux HTL

#### General Description

The Mag-Flux HTL portable flow meter is designed for testing wet riser pressure regulating valves in accordance with BS 9990: 2015. In addition it is also suitable for hydrant and dry riser system applications (systems that utilise BS3336 connectors). It will measure, display and record the flow rate and/or pressure. The portable device is operated by an internal rechargeable battery. The flow meter can operate standalone (displaying the relevant flow and pressure) or operate remotely (mobile bluetooth device) to record, download relevant flow and pressure readings via an app (android/IOS) the data can then be downloaded on to a test document via website.

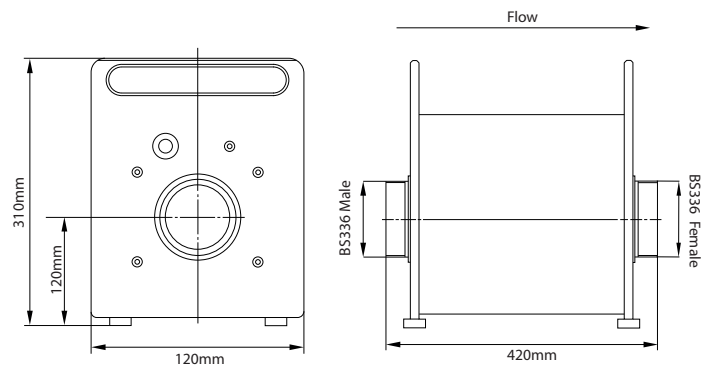
#### Features

- Protection class IP54
- Downloadable pressure and flow graphs document (used for system handover/ physical result of test)
- 5 inch LCD illuminated display
- Battery operation up to 24 hours (Portable operation)
- Measurement accuracy 0.5 %
- Data transmission via Bluetooth for IOS/ Android
- Memory for 2,000,000 measured values
- BS3336 Inlet and outlet connectors
- Flow capacity up to 2390 Lpm
- Max pressure up to 16 bar
- Free flow (No additional pressure losses)
- Free calibration after 2 years
- Temperature and turbidity measurement (Optional)

#### Flow Meter

Max working Pressure	Max. Working Pressure 16 bar
Enclosure	IP 54 (Dust protected, splash protected)
Measurement accuracy	0.5%
Medium	Water
Housing Material	Aluminium
Weight	14.5kg
Battery Operating Time	24 Hours (Fully charged batteries)
Charging Time	4 Hours
Installation	Inlet Section - 5x Nominal Diameter Outlet Section - 2x Nominal Diameter
Inlet Connector	2-1/2" Male BS3336
Outlet Connector	2-1/2" Female BS3336

Refer to the installation, operational and maintenance manual for more information



#### Technical Specifications

Size		Flow Range		Pressure
mm	inch	m <sup>3</sup> /h	l/min.	bar
DN65*	2-1/2"	0 - 143.4	0 - 2390	16 Max

\* Other sizes and connections available on request.

#### Ordering Codes

Ordering Code	Description
RDMFHTL065/BS3336	Mag-Flux HTL BS3336 21/2" Flow Meter
RDHTLC	Mag-Flux HTL Transport Case
*	70mm BS3336 Fire Hose (For testing systems)

\* Specify length of hoses for ordering.