



## Vertical Post Indicator Fig. 101

### Product Description

Rapidrop Fig.101 Vertical Post Indicator provides a means to operate a buried or other wise inaccessible post indicator gate valve (PIV) and able to indicate the open or shut position of the valve.

Operating wrench can be fixed with a padlock to secure it to the barrel to prevent unauthorised operation of the valve.

### Coating

Fusion Bonded Epoxy Coating in accordance with ANSI/AWWA C550

Note: Some degradation of the painted/coated surfaces may occur due to factors such as UV exposure or varying weather which will not affect the performance of the post indicator

### Approvals

FM Approved, UL Listed

### Installation

Ensure that the post indicator valve is in the fully open position before installing the Vertical Post Indicator .

Disassemble the indicator post by taking off the operating wrench (1) and removing the top cap (24) and the operating nut and the target carrier assembly, the stem (22) and the coupling (19). Slide off the body (13) from the standpipe (21), slide off the standpipe (21) from the base flange (16).

Attach the base flange (16) to the post flange of the PIV post indicator valve using the four hex nuts (18) and hex bolts (17). Measure, cut and attach the standpipe (21) to the base flange (16). The standpipe should be approximately 300mm (1ft) higher than the ground level.

1. Slide the body (13) over the standpipe (21) until the ground line mark on the body (13) is the same height as the ground level.
  - Insert the stem (22) and the coupling (19) into the body (13) such that the coupling (19) fits over the operating nut of the PIV post indicator valve. To make sure the stem correctly engages with the operating nut (2), cut the stem so the end is 2 to 4 inches below the top of the body (13).
  - Move the two open plates (7) to the very top of the target carrier assembly. Locate the two "Shut" plates according to the size of the post indicator valve size (stem) turning distance.
2. Insert the target carrier assembly (11, 12) back into the top cap (24) by rotating the operating nut (2) clockwise. Rotate the operating nut (2) until the "Open" plate(7) is centred in the window of the body (13). Lower the top section(24) with the target carrier assembly (11, 12) onto the body (13), carefully ensuring that the stem (22) engages with the operating nut (2) at least 50mm (2 in) but not more than 120mm (4.5"). Secure the top cap using appropriate bolts and nuts.
3. Close the post indicator valve and check to make sure that the "Shut" Plate is properly centred in the window of the body (13), adjust if necessary

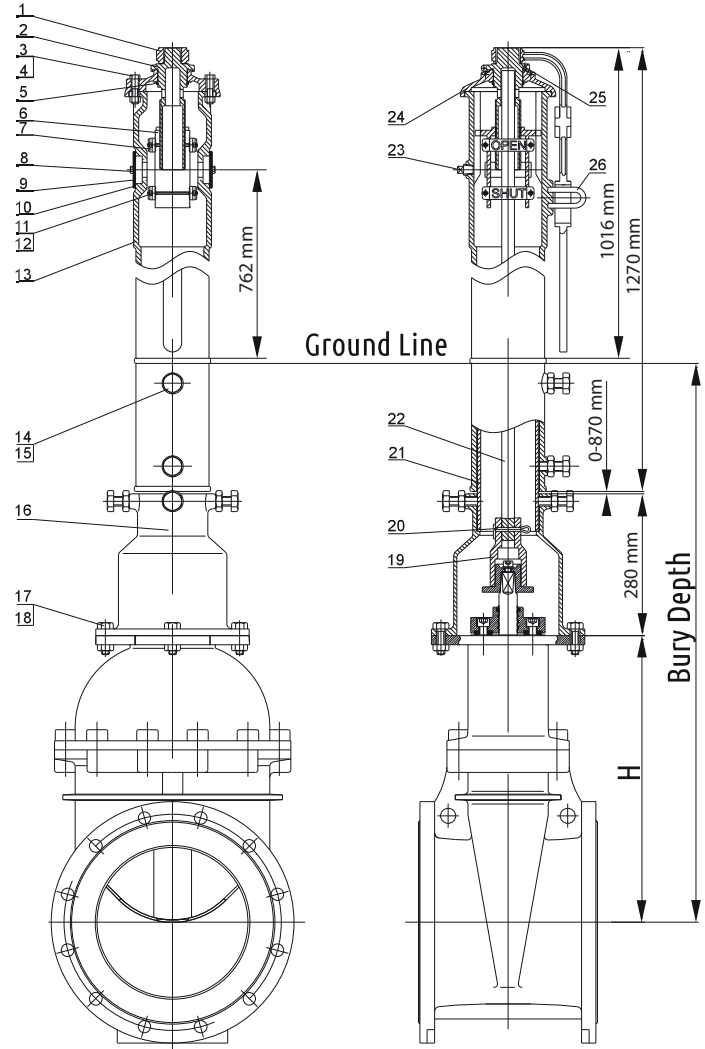


# Vertical Post Indicator

## Fig. 101

### Material Specification

Part No.	Description	Material
1	Operating Wrench	Ductile Iron, ASTM A536
2	Operating Nut	Stainless Steel, ASTM A351 CF8
3	Hex Bolt	Stainless Steel, AISI 304
4	Hex Nut	Stainless Steel, AISI 304
5	Retaining Ring	Stainless Steel, AISI 066
6	Target Carrier Nut	Stainless Steel, ASTM A351 CF8
7	Open Shut Target Plates	Aluminium Alloy, ASTM B108
8	Hex Bolt	Stainless Steel, AISI 304
9	Window	Lexan-Un
10	Window Gasket	PTFE
11	Hex Bolt	Stainless Steel, AISI 304
12	Hex Nut	Stainless Steel, AISI 304
13	Body	Ductile Iron, ASTM A536
14	Hex Bolt	Stainless Steel, AISI 304
15	Hex Nut	Stainless Steel, AISI 304
16	Base Flange	Ductile Iron, ASTM A536
17	Hex Bolt	Stainless Steel, AISI 304
18	Hex Nut	Stainless Steel, AISI 304
19	Coupling	Ductile Iron, ASTM A536
20	Coupling Locking Pin	Stainless Steel, AISI 304
21	Stand Pipe	Ductile Iron, ASTM A536
22	Square Stem	Carbon Steel, AISI 1045
23	Plug	Stainless Steel, AISI 304
24	Cover	Ductile Iron, ASTM A536
25	Cross Recessed Countersunk Head Screw	Stainless Steel, AISI 304
26	Locking Nose	Carbon Steel, ASTM 307B



### Bury Depth

Valve Size		Min. Bury Depth mm (inch)	Max. Bury Depth mm (inch)	H *	
mm	inch			mm	inch
DN100	4"	791mm (31.14")	1660mm (65.39")	270	10.62"
DN150	6"	892mm (35.12")	1762mm (69.37")	360	14.17"
DN200	8"	980mm (38.58")	1850mm (72.83")	440	17.32"
DN250	10"	1075mm (42.32")	1945mm (76.57")	530	20.86"
DN300	12"	1080mm (42.51")	2025mm (79.76")	620	24.40"

\*Note: Dimension H (height) is applicable to Rapidrop Gate Valve Fig.104