



## Vertical Post Indicator Fig. 101L

### Product Description

Rapidrop Fig.101L Vertical Post Indicator provides a means to operate a buried or other wise inaccessible post indicator gate valve (PIV) and able to indicate the open or shut position of the valve.

Indicator can provide a 0-2800 mm adjustment range.

Operating wrench can be fixed with a padlock to secure it to the barrel to prevent unauthorised operation of the valve.

### Mounting Flange

305mm / 12" diameter flange for valve mounting

### Valve Sizes

14" - 24"

### Coating

Fusion Bonded Epoxy Coating in accordance with ANSI/AWWA C550

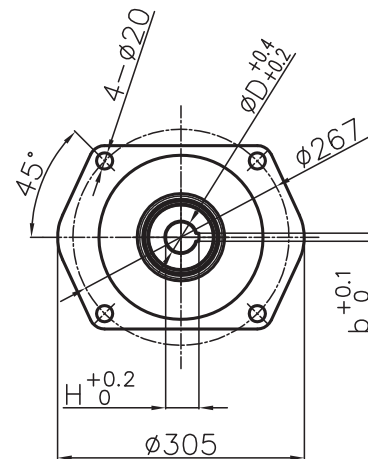
Note: Some degradation of the painted/coated surfaces may occur due to factors such as UV exposure or varying weather which will not affect the performance of the post indicator

### Approvals

FM Approved, UL Listed

### Installation

1. Remove the top section from the top of the Indicator Post assembly.
2. Cut the required length off the bottom of the Standpipe for the Ground Line to match up with Standpipe Ground Line mark.
3. Cut the 1" square stem bar to suit valve position.
4. Set the "OPEN" and "SHUT" targets for the appropriate valve size.
5. Re-attach the Top Section to the top of the indicator Post assembly.



### Flange Dimensions

Size		D	H	b
mm	inch			
DN350	14"	38	41.3	10
DN400	16"	38	41.3	10
DN450	18"	45	48.8	14
DN500	20"	45	48.8	14
DN600	24"	48	51.8	14

# Vertical Post Indicator

## Fig. 101L

### Material Specification

No	Description	Material
1	Locking Wrench	Ductile Iron, ASTM A536
2	Operating Nut	Stainless Steel, ASTM A351 CF8
3	Bolt	Stainless Steel, AISI 304
4	Nut	Stainless Steel, AISI 304
5	Flat Washer	Stainless Steel, AISI 304
6	Snap Ring	Stainless Steel, AISI 606
7	Target Carrier Nut	Stainless Steel, ASTM A351 CF8
8	Target	Aluminium Alloy, ASTM B108
9	Bolt	Stainless Steel, AISI 304
10	Flat Washer	Stainless Steel, AISI 304
11	Window Gland	Carbon Steel, ASTM A307B
12	Window Glass	Lexan Un Stabilize
13	Gasket	EPDM
14	Bolt	Stainless Steel, AISI 304
15	Spring Washer	Stainless Steel, AISI 304
16	Nut	Stainless Steel, AISI 304
17	Body	Ductile Iron, ASTM A536
18	Bolt	Stainless Steel, AISI 304
19	Nut	Stainless Steel, AISI 304
20	Base Flange	Ductile Iron, ASTM A536
21	Bolt	Stainless Steel, AISI 304
22	Nut	Stainless Steel, AISI 304
23	Crane Coupling	Ductile Iron, ASTM A536
24	Cotter Pin	Stainless Steel, AISI 304
25	Stand Pipe	Ductile Iron, ASTM A536
26	Stem 1" Square	Carbon Steel, AISI 1045
27	Plug	Stainless Steel, AISI 304
28	Top Cover	Ductile Iron, ASTM A536
29	Screw	Stainless Steel, AISI 304
30	Lock Nose	Carbon Steel, ASTM A307B
31	Reducer	Parts
32	Bolt	Stainless Steel, AISI 304
33	Nut	Stainless Steel, AISI 304
34	Wrench Nut	Ductile Iron, ASTM A536
35	Washer	Stainless Steel, AISI 304
36	Hex Socket Cap Screw	Stainless Steel, AISI 304
37	Spring Washer	Stainless Steel, AISI 304

