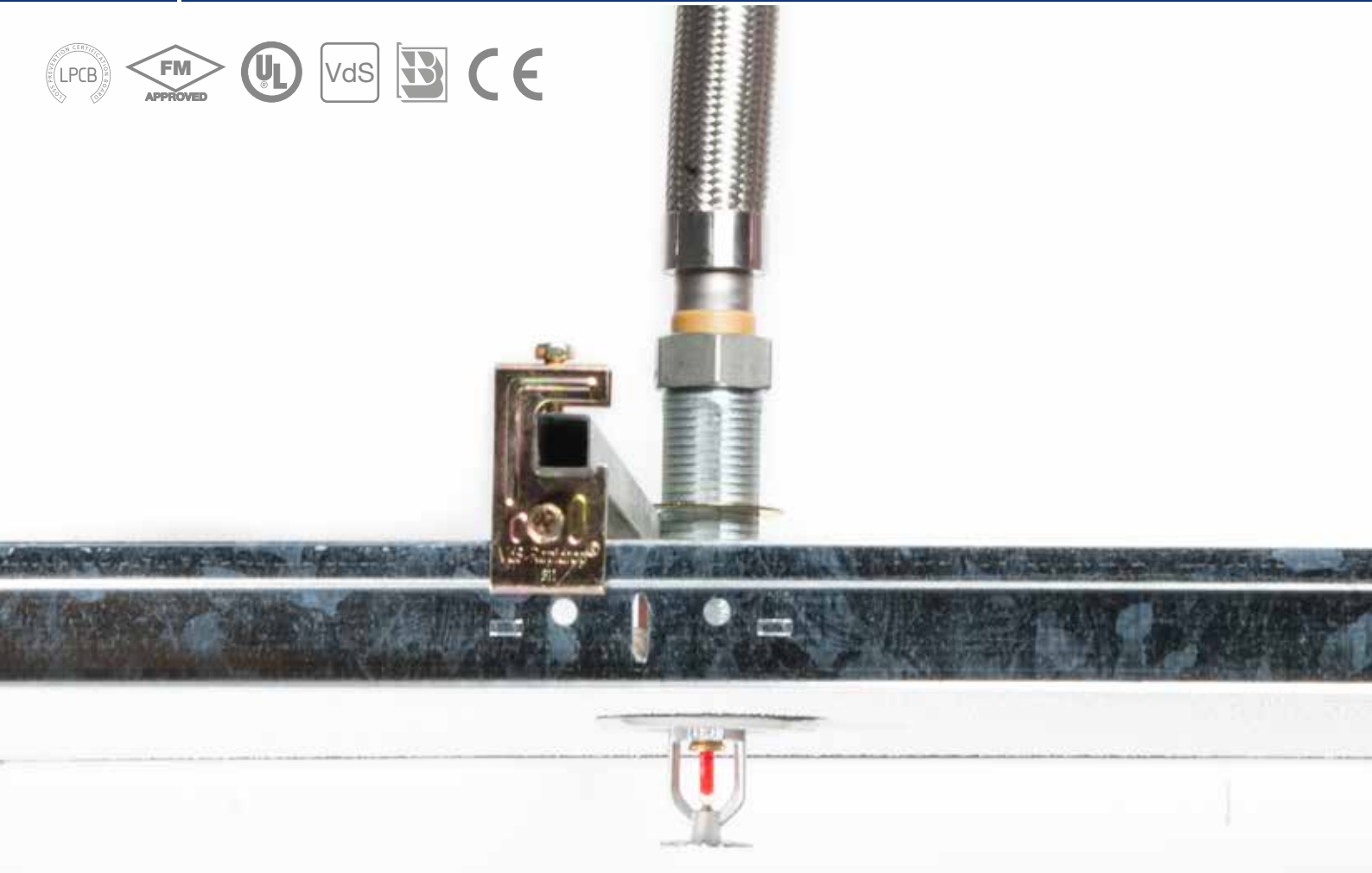




Rapidrop

British Manufacturer of Fire Detection & Suppression Equipment

Flexible Sprinkler Connections

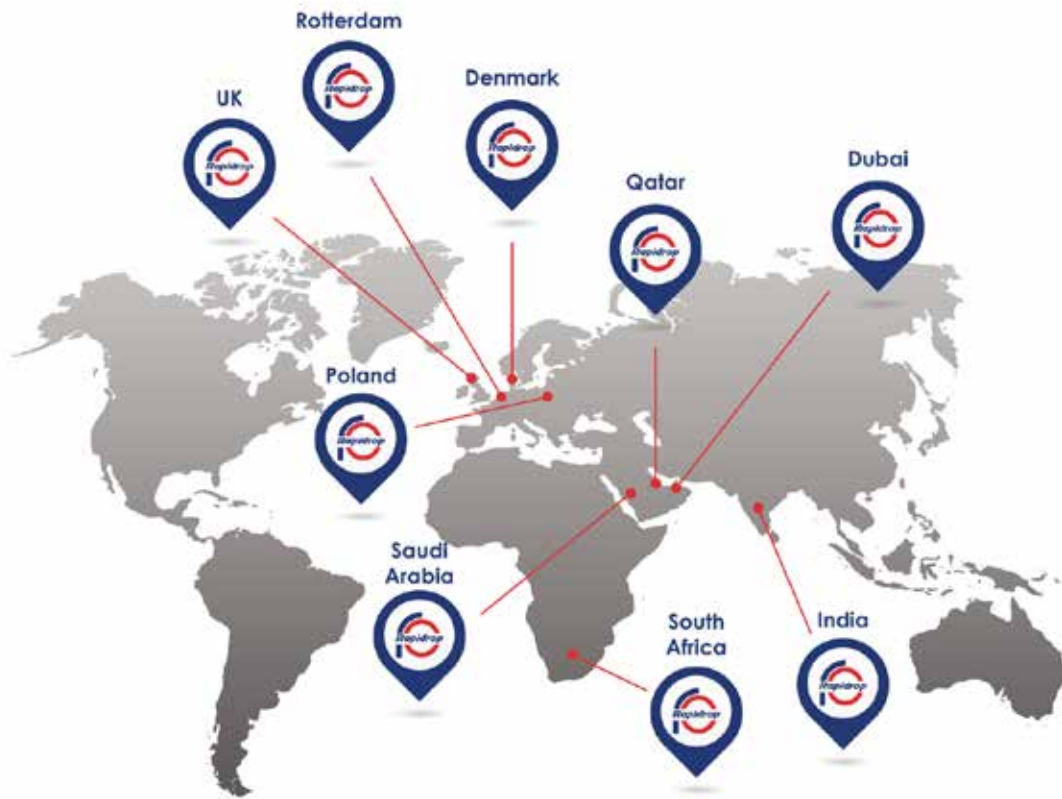


Rapidrop Flexible

Rapidrop, the original and first European approved alternative solution to traditional pipe work reduces installation time and costs. Rapidrop is an adjustable corrugated stainless steel connection that removes the need for cutting, threading and precise measurements.

Rapidrop Flexible Sprinkler Connections can easily be formed by hand connecting the sprinkler to the pipework quickly even in the most restricted spaces, voids as small as 100mm.





Our Locations

Rapidrop have strategically located distribution centre's to supply the needs of the fire sprinkler industry worldwide.

Our logistics partners ensure quick, efficient deliveries direct to site to suit our customers requirements.



Rapidrop flexible hoses are available in 780mm – 2540mm (31" - 100") lengths with reducing fittings for concealed, flush pendent, pendent, 1/2" or 3/4" sprinkler heads.

A wide range of ceiling support brackets are available to suit different ceiling systems including lift out tile, fixed board (Gypsum) and many other types.

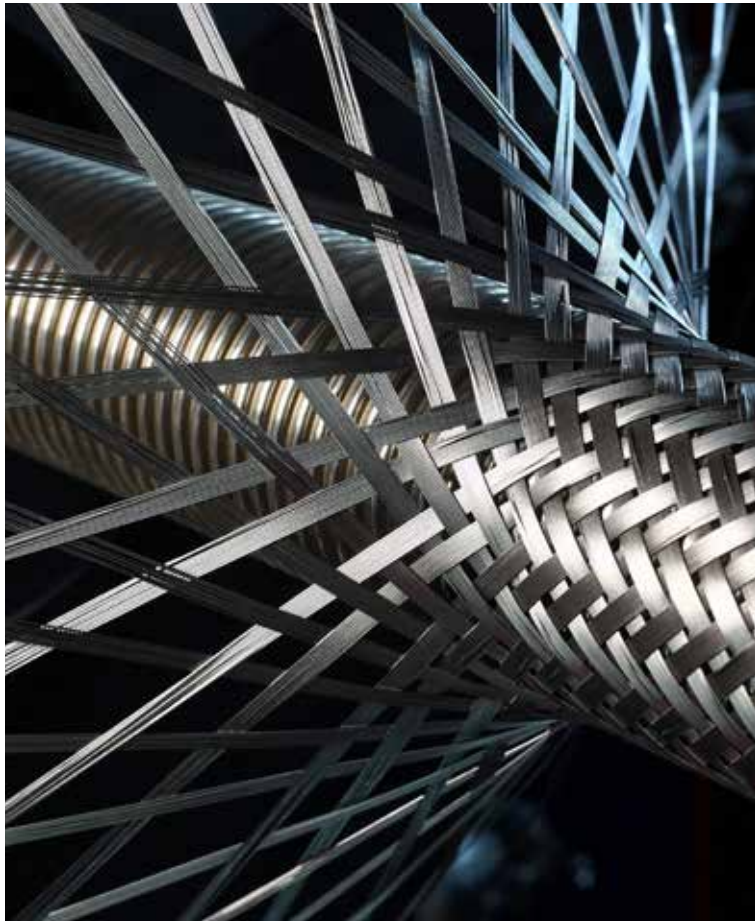
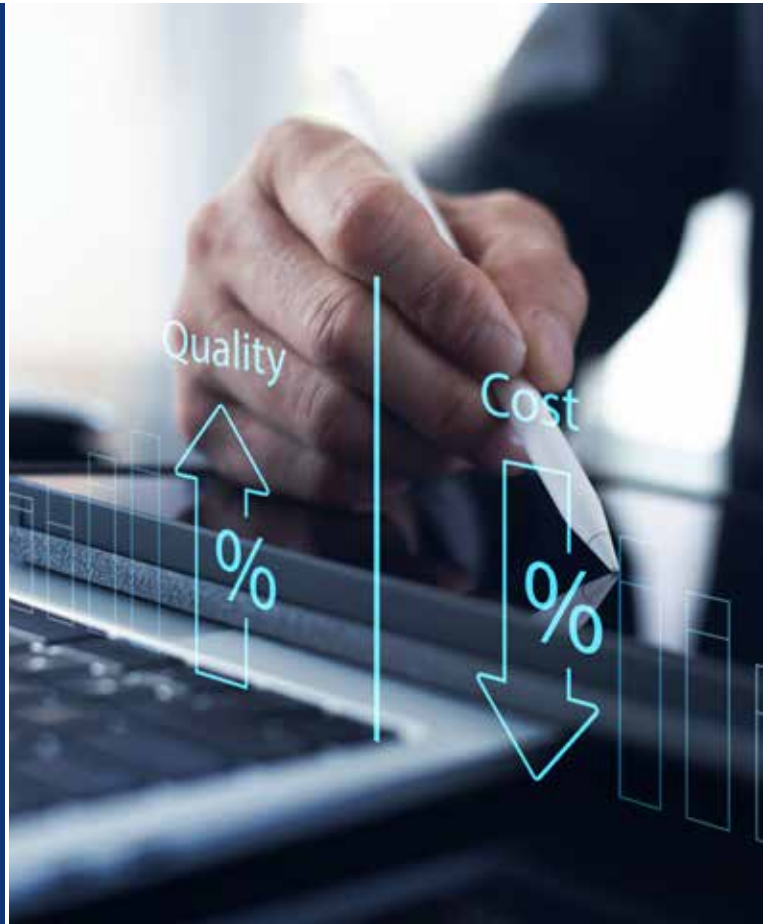
With numerous inlet, outlet and bracket options, Rapidrop are supplied in kit form from the factory containing only the specific components as per your order.

Following extensive testing, Rapidrop Flexible Sprinkler Connections are approved and listed by FM, UL, LPCB, VdS, CNBOP-PIB.

Cost effective solution

The Rapidrop flexible allows for a cost reduction on sprinkler system installations. The installation time is drastically reduced compared to hard pipe installation and is therefore less labour intensive compared to other existing solutions.

The SMB and SP flexible adapts with ease to various constraints on site.



Built to last

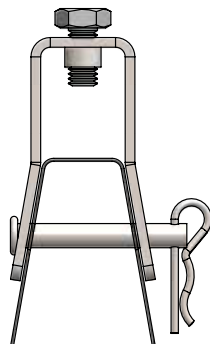
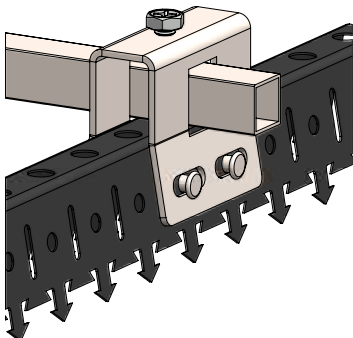
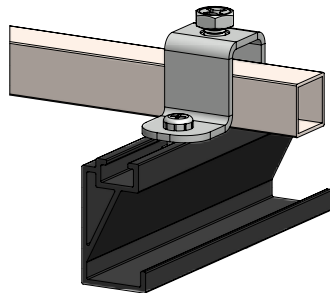
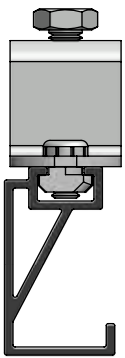
All Rapidrop flexibles are produced to last. 100% of the hose is inspected and 100% of hoses are pressure tested for to ensure we deliver a high quality product every time.

The use of Stainless Steel along with the fitting of insulation rings from the factory makes the Rapidrop flexible a very durable product offering maximum life expectancy.

Engineered & designed to high standards

Rapidrop has been a leader in design and supply of flexibles across Europe and the world for decades making us experts on the product.

The use of a rotatable hexagonal nut on each side of the flexible allows the fitter to perfectly align the sprinklers while maintaining a torsion free flexible and therefore maintaining a level ceiling. Nuts on both ends are also retractable allowing a full inspection of existing seals.



Large range of accessories - ready to be installed on the most challenging ceilings.

After decades of designing new accessories and improving existing solutions we can offer a very large range of products to effortlessly install the flexible on most ceilings.

Our R&D team can quickly provide solutions to any type of specialist ceilings.



Flexible Sprinkler Connection Model RD-SMB



Cert/LPCB/ ref. 566/01



VdS



CE



Size	Product code
780mm	RDSMB01
1000mm	RDSMB02
1220mm	RDSMB03
1540mm	RDSMB04
1830mm	RDSMB05

Technical Specification (FM)

Model	Hose Assembly length	Minimum Bend Radius	Maximum Working Pressure	Equivalent Length of 1 in. Schedule 40 Pipe				Maximum Number of 90° Bends
				1/2" outlet K80 (K5.6)	3/4" outlet K115 (K8.0)	3/4" outlet K160 (K11.2)	3/4" outlet K200 (K14)	
				mm(inch)	mm (inch)	bar (psi)	Straight outlet m (ft) 90° Elbow outlet m (ft)	
RD-SMB-01	780 (31)	165 (6 1/2)	12 (175)	7 (23) 8.3 (27.2)	5.1 (16.8) 6.9 (22.8)	5.4 (17.7) 6.9 (22.6)	5.6 (18.4) 6.7 (21.9)	1
RD-SMB-02	1000 (39)	165 (6 1/2)	12 (175)	9.6 (31.4) 10.2 (33.7)	7.9 (25.8) 8.1 (26.8)	7.9 (25.8) 7.9 (26.2)	7.9 (25.9) 7.9 (25.9)	3
RD-SMB-03	1220 (48)	165 (6 1/2)	12 (175)	12.1 (39.8) 12.2 (40)	10.6 (34.8) 9.4 (30.9)	10.2 (33.5) 9.1 (29.9)	10.2 (33.4) 9.1 (30)	3
RD-SMB-04	1540 (60)	165 (6 1/2)	12 (175)	13.9 (45.6) 15.1 (49.6)	12.6 (41.4) 12.5 (40.9)	12.4 (40.7) 12.2 (40.1)	12.4 (40.8) 12.5 (41.1)	4
RD-SMB-05	1830 (72)	165 (6 1/2)	12 (175)	15.5 (50.9) 17.8 (58.4)	14.4 (47.3) 15.2 (49.9)	14.4 (47.2) 15 (49.4)	14.5 (47.6) 15.6 (51.2)	4

Note: Table above shows pressure loss figures for the flexible hose with maximum number of bends. Pressure loss of the hose with fewer bends than shown in the table will be lower.



Flexible Sprinkler Connection Model RD-SMB

Technical Specification (LPCB, CNBOP)

Model	Hose Assembly length	Minimum Bend Radius	Maximum Working Pressure	Equivalent Length of DN 25 BS EN 10225 Pipe		Maximum Number of 90° Bends
				1/2" outlet, Straight or 90° Elbow K80 (K5.6)		
	mm (inch)	mm (inch)	bar (psi)	m (ft)		
RD-SMB-01	780 (31)	75 (3)	16 (232)	2.2 (7.2)		1
RD-SMB-02	1000 (39)	75 (3)	16 (232)	5.3 (17.4)		3
RD-SMB-03	1220 (48)	75 (3)	16 (232)	6.3 (20.7)		3
RD-SMB-04	1540 (60)	75 (3)	16 (232)	7.1 (23.2)		3
RD-SMB-05	1830 (72)	75 (3)	16 (232)	7.7 (25.2)		3

Note: Table above shows pressure loss figures for the flexible hose with maximum number of bends. Pressure loss of the hose with fewer bends than shown in the table will be lower.

Technical Specification (VdS)

Model	Hose Assembly length	Minimum Bend Radius	Maximum Working Pressure	Equivalent Length of DN 25 BS EN 10225 Pipe		Maximum Number of 90° Bends
				1/2" & 3/4" outlet Straight or 90° Elbow K57(K4.0), K80(K5.6), K115(K8.0)		
	mm (inch)	mm (inch)	bar (psi)	m (ft)		
RD-SMB-01	780 (31)	75 (3)	16 (232)	1.56 (5.1)		1
RD-SMB-02	1000 (39)	75 (3)	16 (232)	2.0 (6.56)		3
RD-SMB-03	1220 (48)	75 (3)	16 (232)	2.44 (8.0)		3
RD-SMB-04	1540 (60)	75 (3)	16 (232)	3.08 (10.1)		4
RD-SMB-05	1830 (72)	75 (3)	16 (232)	3.66 (12.0)		4

Note: Table above shows pressure loss figures for the flexible hose with maximum number of bends. Pressure loss of the hose with fewer bends than shown in the table will be lower.



Flexible Sprinkler Hose Model SP



Cert/LPCB/ ref. 566/01



Size	Product code
780mm	RDRSP1A
1000mm	RDRSP2AS
1220mm	RDRSP2A
1540mm	RDRSP3A
1880mm	RDRSP4A
2540mm	RDRSP5A
3220mm	RDRSP6A

Technical Specification (UL, LPCB, CNBOP)

Model	Hose Assembly length	Minimum Bend Radius mm (inch)		Maximum Working Pressure bar (psi)		Equivalent Length			Max Number of 90° Bends	
						UL		LPCB		
						1" Schedule 40 Pipe		DN 25 (33.7x2.6mm)		
						A 1/2" outlet	B 3/4" outlet		UL	LPCB CNBOP
	mm (inch)	UL	LPCB CNBOP	UL	LPCB CNBOP	m (ft.)	m (ft.)	m (ft.)		
Rapidrop SP-1	780 (31)	100 (4)	75 (3)	12 (175)	16 (232)	8.2 (27)	10.1 (33)	6.0 (20)	2	2
Rapidrop SP-2S	1000 (39)	100 (4)	75 (3)	12 (175)	16 (232)	13.4 (44)	14.6 (48)	8.5 (28)	3	3
Rapidrop SP-2	1220 (48)	100 (4)	75 (3)	12 (175)	16 (232)	16.2 (53)	16.8 (55)	11.0 (36)	3	3
Rapidrop SP-3	1540 (60)	100 (4)	75 (3)	12 (175)	16 (232)	20.7 (68)	19.2 (63)	14.2 (47)	3	3
Rapidrop SP-4	1830 (72)	100 (4)	75 (3)	12 (175)	16 (232)	22.3 (73)	23.2 (76)	18.2 (60)	3	3
Rapidrop SP-5*	2540 (100)	100 (4)	75 (3)	-	16 (232)	-	-	25.2 (83)	-	3
Rapidrop SP-6*	3220 (125)	100 (4)	75 (3)	-	16 (232)	-	-	32.5 (107)	-	3

*LPCB and CNBOP approved

Note: Table above shows pressure loss figures for the flexible hose with maximum number of bends. Pressure loss of the hose with fewer bends than shown in the table will be lower.

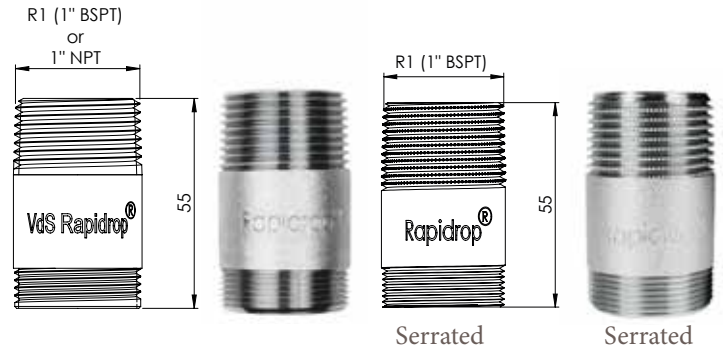
Inlet Nipple

Dimensions: 55mm x 33.7mm

Options

- R1 (1" BSPT) or 1" NPT
- R1 (1" BSPT) Serrated Inlet Nipple

Size	Product code
1" BSPT	RDRNIPPLER1
1" NPT	RDRNIPPLER1NPT
1" BSPT (Serrated)	RDRNIPPLER1S

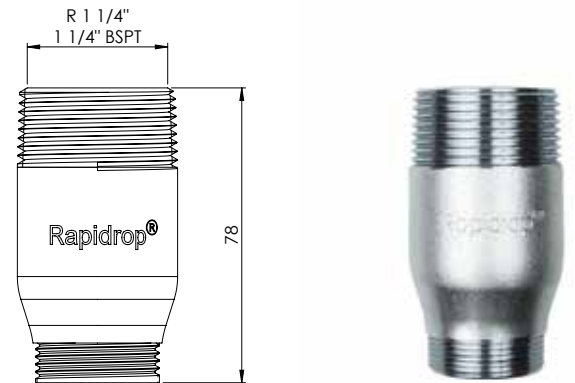


Serrated Inlet Nipple is designed for use with cotton & paste sealant

1 1/4" BSPT Inlet Nipple

Dimensions: 78mm x 42.2mm

Product code
RDRNIPPLER1.1/4

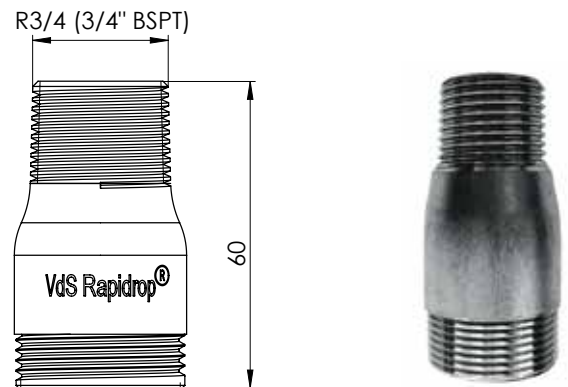


Non-Standard

3/4" BSPT Inlet Nipple

Dimensions:
55mm x 26.7mm

Product code
RDRNIPPLER3/4

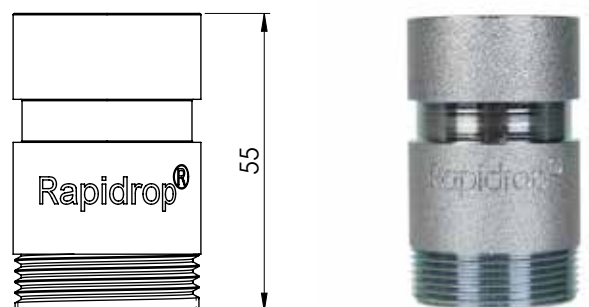


Non-Standard

1" Grooved Inlet Nipple

Dimension: 55mm

Product code
RDRNIPPLE1GRV



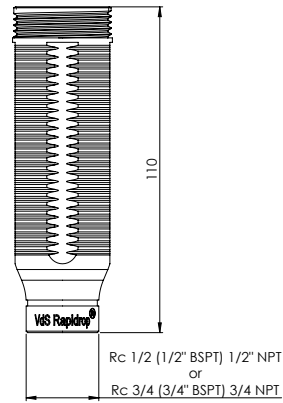
110mm Outlet

Dimensions: 110mm x 33mm

Options

- Rc1/2 (1/2" BSPT) 1/2" NPT
- Rc3/4 (3/4" BSPT) 3/4" NPT

Size	Product code
1/2 NPT	RDREDR1/2NPT
3/4 NPT	RDREDR3/4NPT



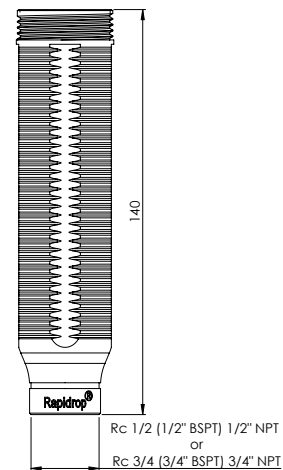
140mm Outlet

Dimensions: 140 mm x 33mm

Options

- Rc1/2 (1/2" BSPT) 1/2" NPT
- Rc3/4 (3/4" BSPT) 3/4" NPT

Size	Product code
1/2 NPT	RDREDR1/2NPT140
3/4 NPT	RDREDR3/4NPT140



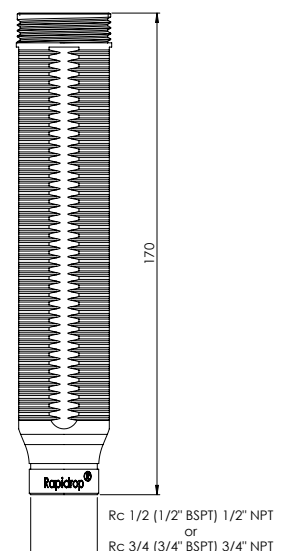
170mm Outlet

Dimensions: 170mm x 33mm

Options

- Rc1/2 (1/2" BSPT) 1/2" NPT
- Rc3/4 (3/4" BSPT) 3/4" NPT

Size	Product code
1/2 NPT	RDREDR1/2L
3/4 NPT	RDREDR3/4L



Outlets Reducing Elbows

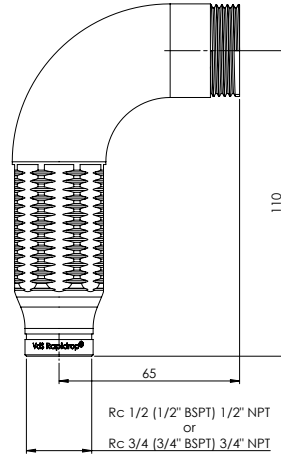
Small Elbow

Dimensions: 110mm x 65mm

Options

- Rc1/2 (1/2" BSPT) 1/2" NPT
- Rc3/4 (3/4" BSPT) 3/4" NPT

Size	Product code
1/2 NPT	RDREDELB015S
3/4 NPT	RDREDELB020S



Non-Standard

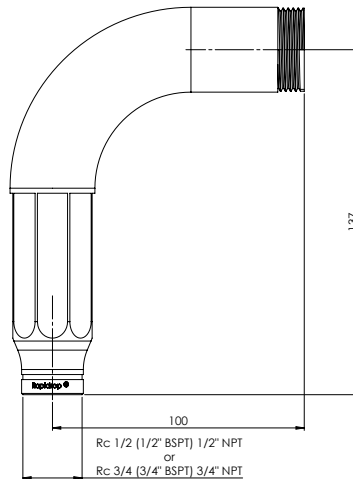
Large Elbow (Non-Standard)

Dimensions: 137mm x 100mm

Options

- Rc1/2 (1/2" BSPT) 1/2" NPT
- Rc3/4 (3/4" BSPT) 3/4" NPT

Size	Product code
1/2 NPT	RDREDELB015
3/4 NPT	RDREDELB020



Outlets For Sandwich Panels

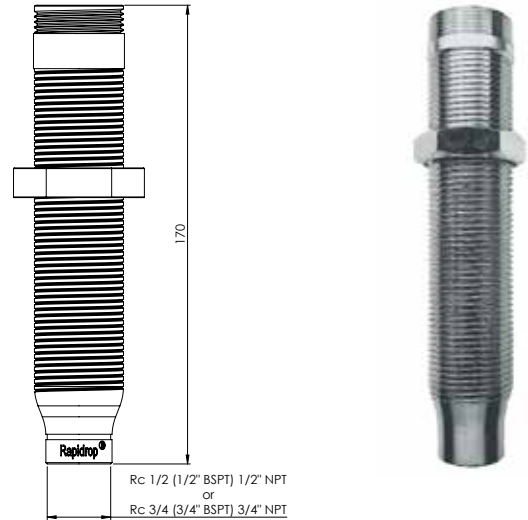
170mm External Threaded Outlet

Dimensions: 170mm x 33mm

Options

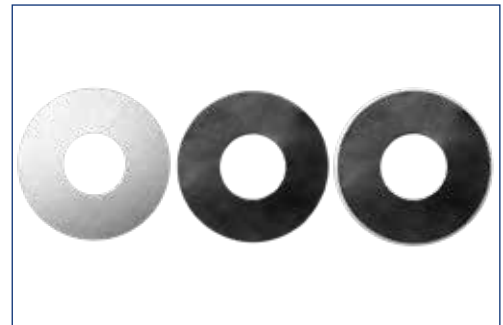
- Rc1/2 (1/2" BSPT) 1/2" NPT
- Rc3/4 (3/4" BSPT) 3/4" NPT

Size	Product code
1/2 NPT	RDREDR1/2LTH
3/4 NPT	RDREDR3/4LTH



Flexible Sprinkler Connection for Sandwich Panels

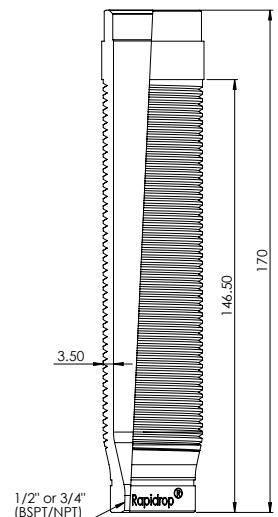
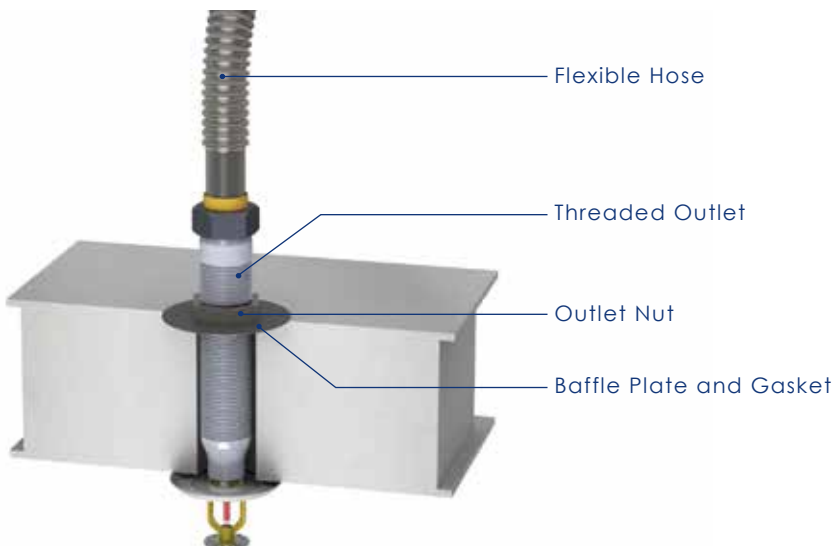
Rapidrop Flexible Sprinkler Hose connects the sprinkler to the branch pipe. The flexible stainless steel hose and sandwich kit fittings are particularly suited for use in difficult ceiling applications. This kit can be adapted to most of the existing installations. The Rapidrop kit comes with a stainless steel flexible hose, a branch line connection inlet nipple and a sprinkler reducer with external thread. Flexible stainless steel hoses are available in lengths 0.78 - 2.54m (31" - 100") with either 1/2" or 3/4" NPT / BSPT threaded outlets.



ACCESSORIES

RDSWBAFFLE083 - Baffle Plate

RDBAFFLEPG - Gasket



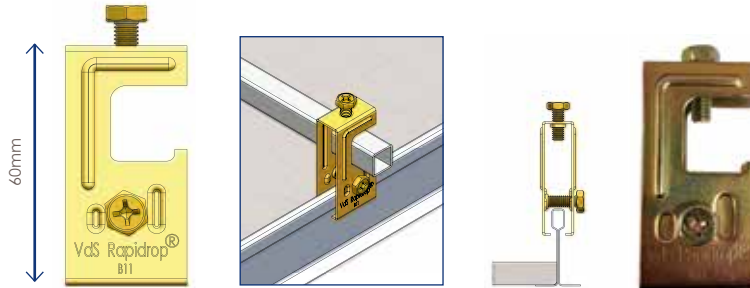
Standard Side Brackets For Suspended Ceilings

B11 Bracket

Dimensions: 60mm x 30mm

Product code

RDRB11



For use with Suspended Ceilings

Sprinkler Type

Pendent Sprinkler

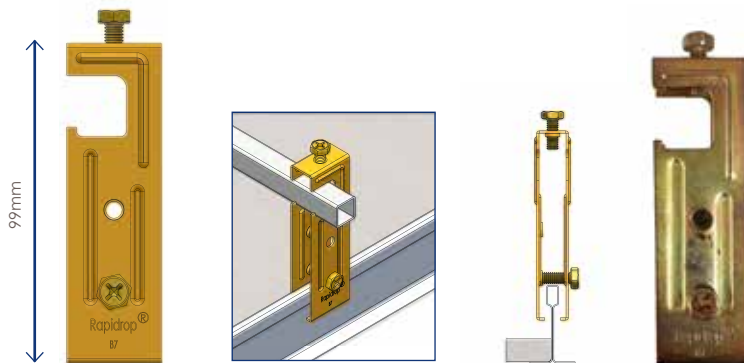


B7 Bracket

Dimensions: 99mm x 30mm

Product code

RDRB07



For use with Suspended Ceilings

Sprinkler Type

Concealed and Flush Pendent Sprinklers

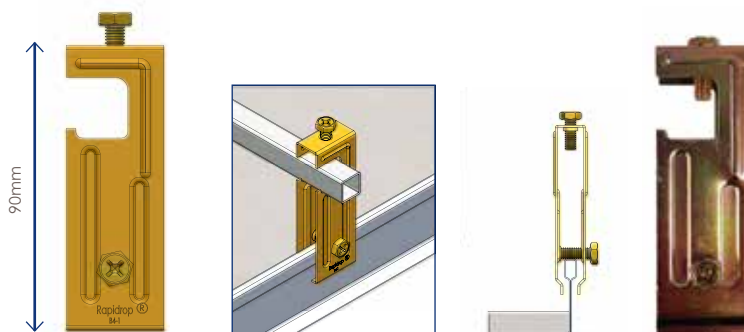


B4-1E Bracket

Dimensions: 90mm x 30mm

Product code

RDRB04-1E



For use with Suspended Ceilings

Sprinkler Type

Concealed and Flush Pendent Sprinklers



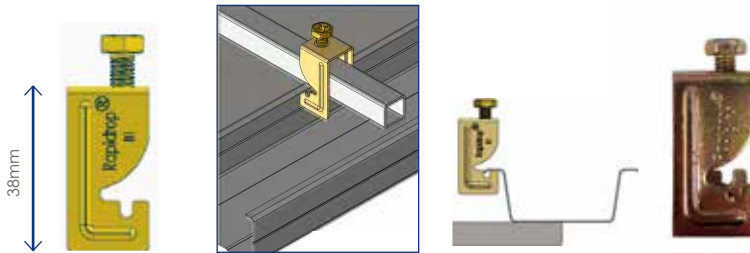
Standard Side Brackets For Plasterboard Ceilings

B1 Bracket

Dimensions: 38mm x 20mm

Product code

RDRB01



For use with Plasterboard Ceilings

Sprinkler Type

Pendent Sprinkler

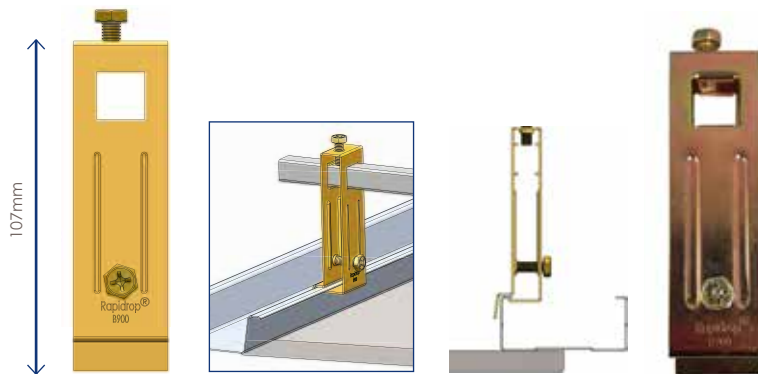


B900 Bracket

Dimensions: 107mm x 30mm

Product code

RDRB900



For use with Plasterboard Ceilings

Sprinkler Type

Concealed and Flush
Pendent Sprinklers

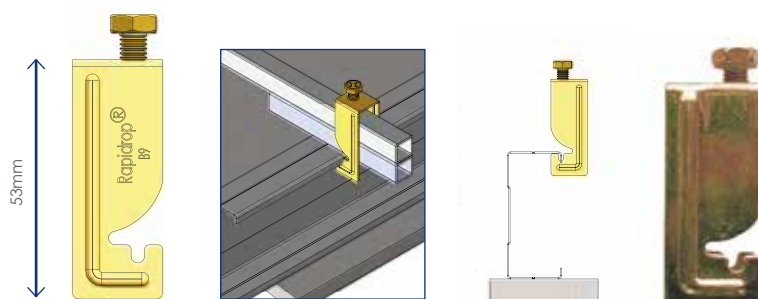


B9 Bracket

Dimensions: 53mm x 20mm

Product code

RDRB09



For use with Plasterboard Ceilings

Sprinkler Type

Concealed and Flush
Pendent Sprinklers



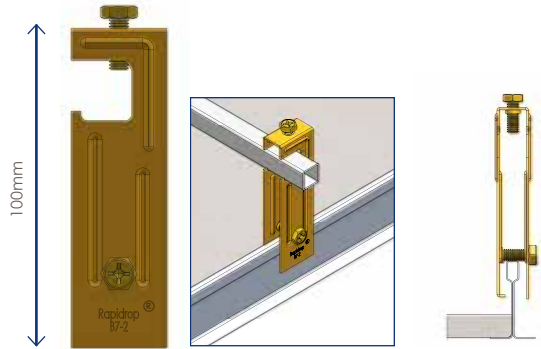
Non-Standard

B7-2 Bracket

Dimensions:
100mm x 30mm

Product code

RDRB07-2

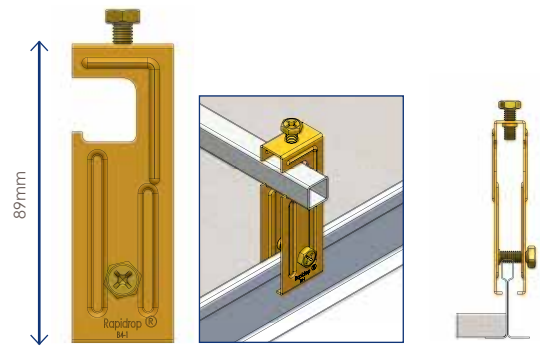


B4-1 Bracket

Dimensions:
89mm x 30mm

Product code

RDRB04-1



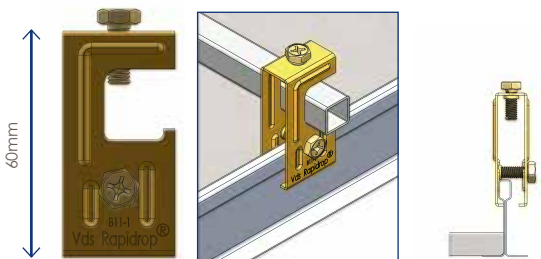
Non-Standard

B11-1 Bracket

Dimensions:
60mm x 30mm

Product code

RDRB11-1

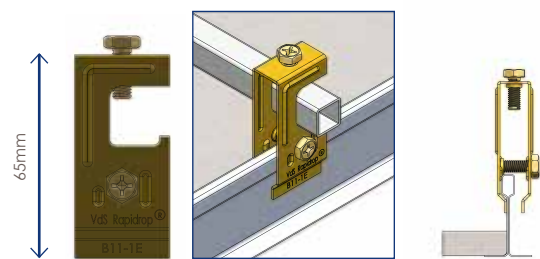


B11-1E Bracket

Dimensions:
65mm x 30mm

Product code

RDRB11E1



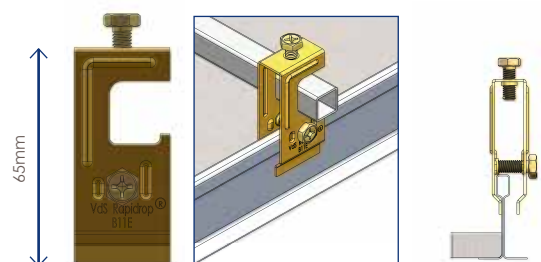
Non-Standard

B11E Bracket

Dimensions:
65mm x 30mm

Product code

RDRB11E

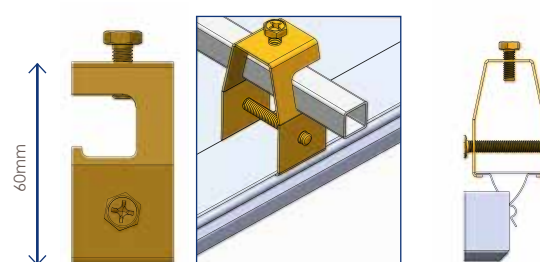


B11F Bracket

Dimensions:
60mm x 30mm

Product code

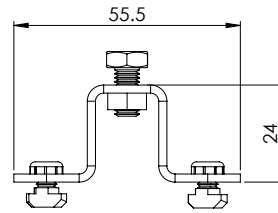
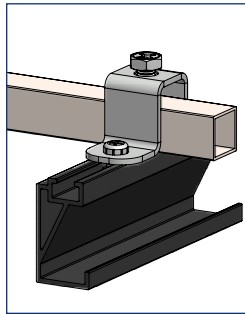
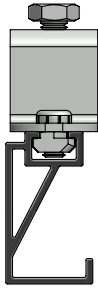
RDRB11F



Special

B5-1 Bracket

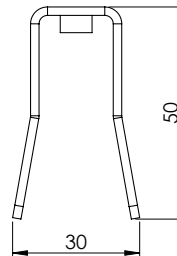
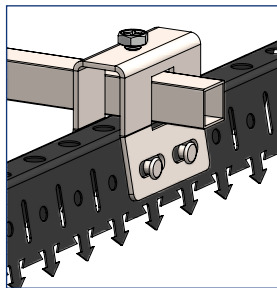
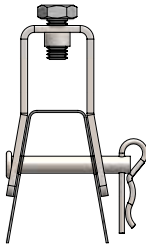
Dimensions:
55.5mm x 24mm



Special

B6-SAPP Bracket

Dimensions:
50mm x 30mm

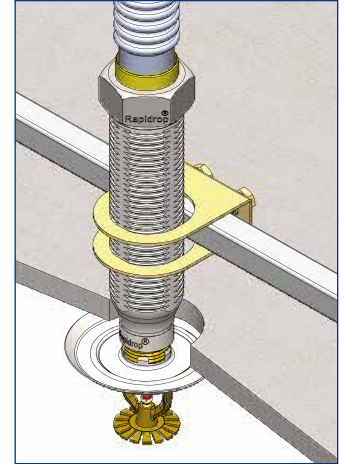


A2 Bracket

Dimensions: 65mm x 50mm

Product code

RDRBA

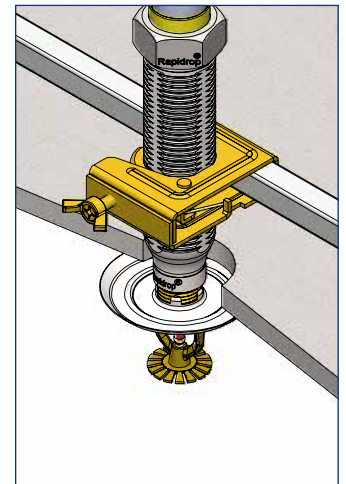
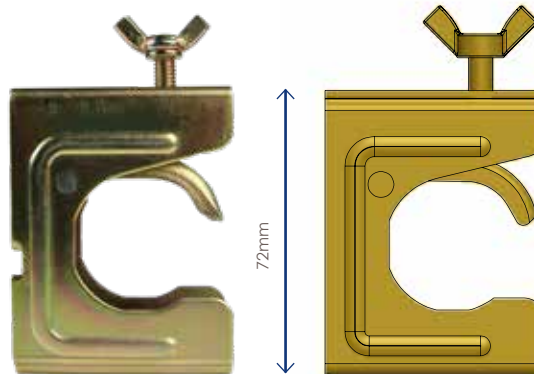


A1 Open Bracket

Dimensions: 72mm x 55mm

Product code

RDR A1

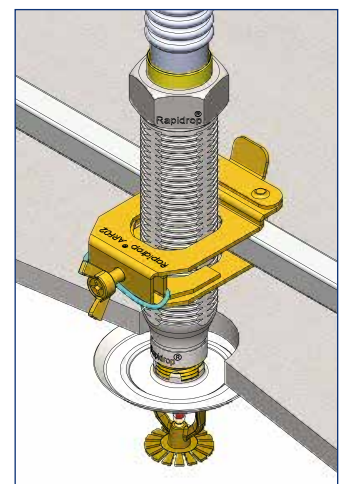
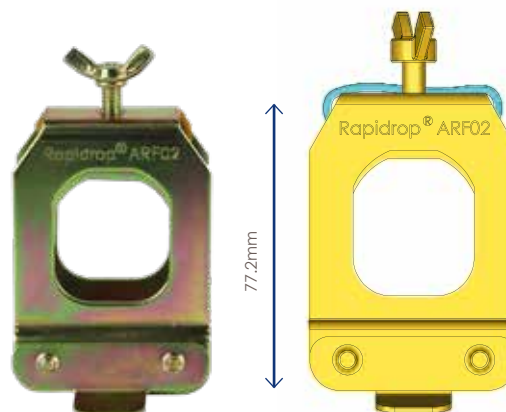


ARF02 Quick Fix Bracket

Dimensions: 77.2mm x 55mm

Product code

RDRARF02



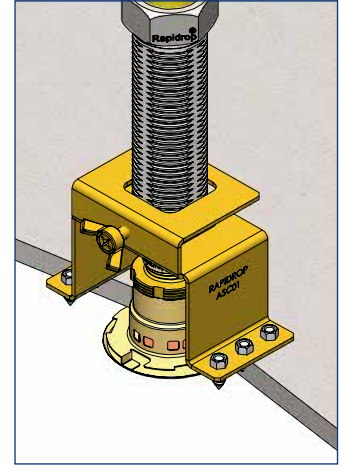
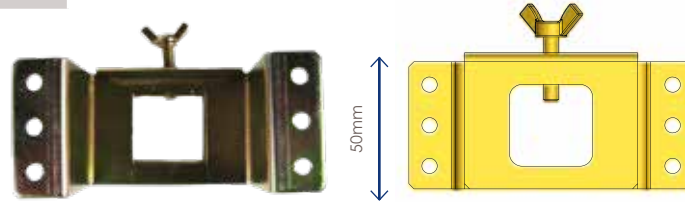
Non-Standard

ASC01 Bracket

Dimensions: 50mm x 110mm

Product code

RDRASC01



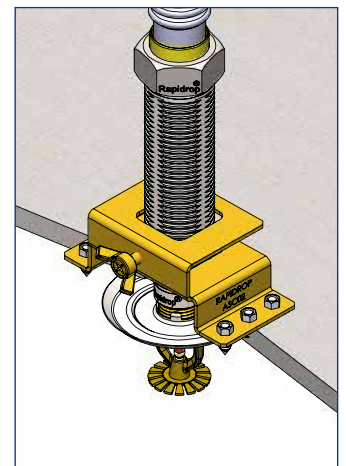
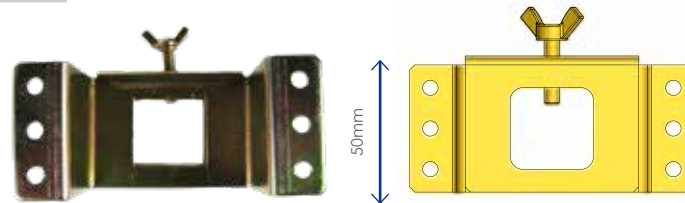
Non-Standard

ASC02 Bracket

Dimensions: 50mm x 110mm

Product code

RDRASC02





Bars

Minimum Radius Indicators

Square Bar

Rapidrop support bar for use with Rapidrop flexible sprinkler connections, the support bar supports the flexible hose and brackets above the ceiling.

Rapidrop support bars are available in various lengths, from 640mm to 1600mm to suit different ceiling types.

Longer support bars available on request.

Size	Product code
640mm	RDRSBAR0640
800mm	RDRSBAR0800
1000mm	RDRSBAR1000
1240mm	RDRSBAR1RD240
1600mm	RDRSBAR1600



Minimum Radius Indicator for model SP

Rapidrop 75mm minimum radius indicator for use with Model SP flexible sprinkler connection, the minimum radius indicator shows the minimum bend radius allowed. The indicator ensures that the flexible is installed at the correct bend radius and assists the inspection process by giving a visual indication that the flexible meets the LPCB requirements. The indicator is made from self-extinguishing materials.

Product code

RDRMRI075



Minimum Radius Indicator for model SMB

Rapidrop 75mm minimum radius indicator for use with Model RD-SMB flexible sprinkler connection, the minimum radius indicator shows the minimum bend radius allowed. The indicator ensures that the flexible is installed at the correct bend radius and assists the inspection process by giving a visual indication that the flexible meets the LPCB requirements. The indicator is made from self-extinguishing materials.

Product code

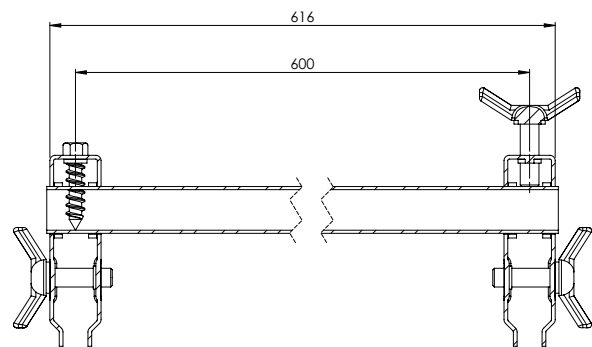
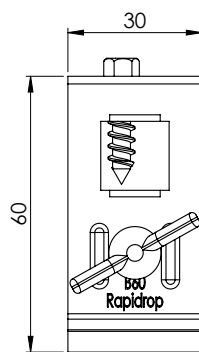
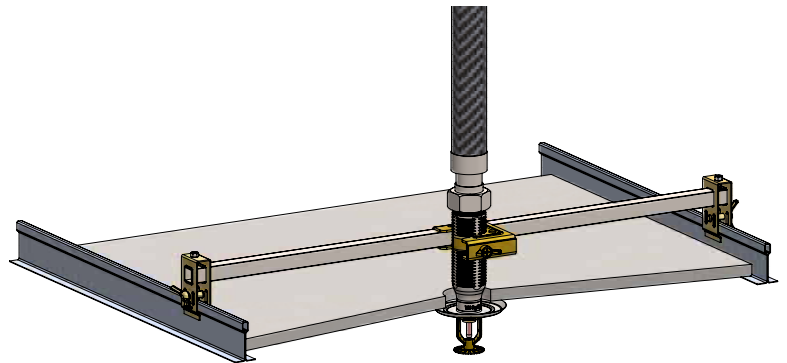
RDBMRI075



Bar Bracket Assembly

The bar bracket assembly includes two side brackets and a bar that have been pre-assembled (as shown in the picture below) in order to save time on a project. There are different bar bracket assembly options available to suit different types of sprinkler head.

	B60/600
A mm	60
B mm	30
Sprinkler type	Pendent
Tile Centres mm*	600
Overall Length mm	618
Product code	RDAB60/600



International patent pending

*Optional 610mm, 625mm

Pre-packaged Accessories Solution

RDFLECKIT1 is a pre-packaged solution available which includes all accessories in one box to suit a pendent sprinkler installed into a lay-in grid ceiling. This solution takes up less storage space on site and during transportation.



Training courses available from Rapidrop

Rapidrop flexible sprinkler connections are straightforward to install and we provide step by step guides to help make the process of installing a flexible sprinkler connection effortless.

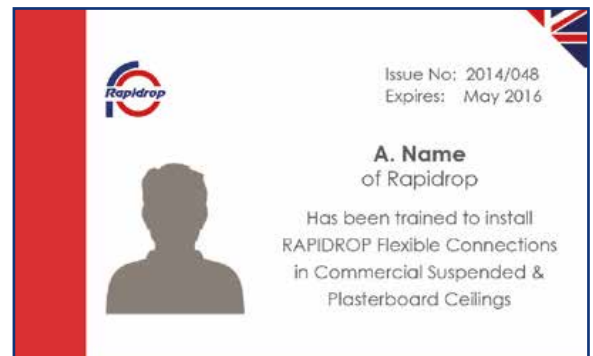
For those who may not have installed a flexible sprinkler connection before or even for those who are unsure about the technicalities and want to improve their knowledge, Rapidrop also provide a training course on installing flexible connections, the course covers key elements, including:

- Ensuring you have the right flexible hose length
- Correctly fitting brackets to bar and grid system
- Adhering to the allowed number of bends
- LPCB solutions for shallow void applications
- The correct and incorrect ways to bend a flexible hose

- How to indicate the direction of flow
- Adhering to the minimum bend radius

For more information on how to book in an installation training course with Rapidrop, email rapidrop@rapidrop.com or call us on 01733 847 510.

Any person that completes a Rapidrop flexible connections training course will receive a card as proof that they have completed the course.





Typical Sprinkler Layout

1. RAPIDDROP FLEXIBLE

LPCB/UL/CNBOP
(no braiding SP)

- RDRSP1A (780mm)
- RDRSP2AS (1000mm)
- RDRSP2A (1220mm)
- RDRSP3A (1540mm)
- RDRSP4A (1880mm)
- RDRSP5A (2540mm)
- RDRSP6A (3220mm)

LBCP/FM/VDS/CNBOP
(with braiding SMB)

- RDSMB01 (780mm)
- RDSMB02 (1000mm)
- RDSMB03 (1220mm)
- RDSMB04 (1540mm)
- RDSMB05 (1880mm)

MINIMUM RADIUS INDICATOR

RDRMRI075
(non-braided model SP)

RDBMRI075
(Braided model RD-SMB)

6. B BRACKET (X 2)

FOR SUSPENDED CEILINGS

- Pendent Sprinkler Head
(Bracket B11) **RDRB11**
- Concealed Sprinkler Head
(Bracket B07) **RDRB07**

FOR PLASTERBOARD CEILINGS

- Pendent Sprinkler Head
(Bracket B01) **RDRB01**
- Concealed Sprinkler Head
(Bracket B900) **RDRB900**

2. INLET NIPPLE

RDRNIPPLER1
(25mm x 25mm)

RDRNIPPLER1.1/4
(32mm x 25mm) - UK

3. OUTLET REDUCER

STRAIGHT REDUCER
RDREDR 1/2 NPT or **RDREDR 3/4 NPT**
1/2" NPT (15mm) or 3/4" NPT (20mm)

REDUCING ELBOW
RDREDELB015S or **RDREDELB020S**
1/2" NPT (15mm) or 3/4" NPT (20mm)

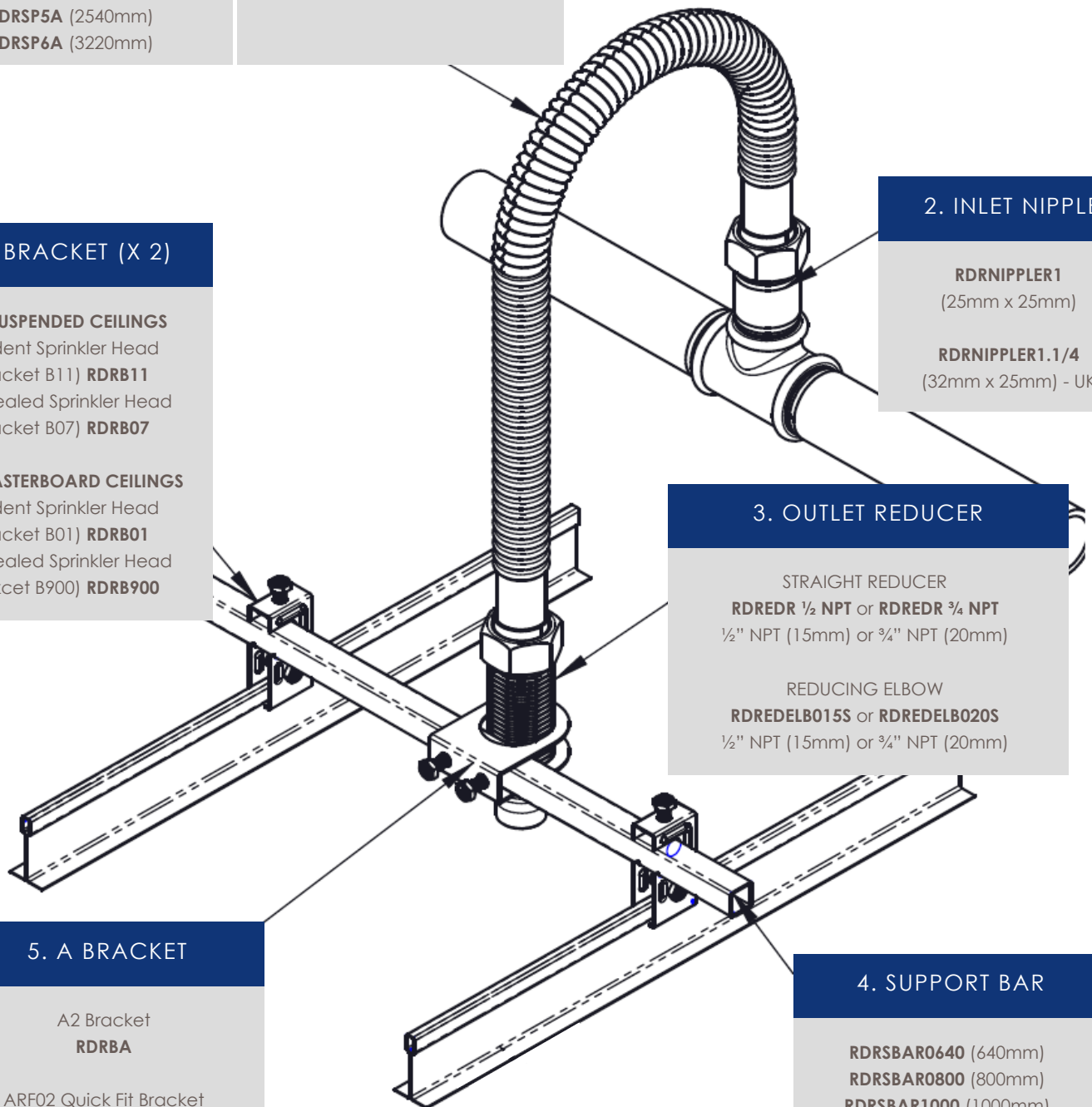
5. A BRACKET

A2 Bracket
RDRBA

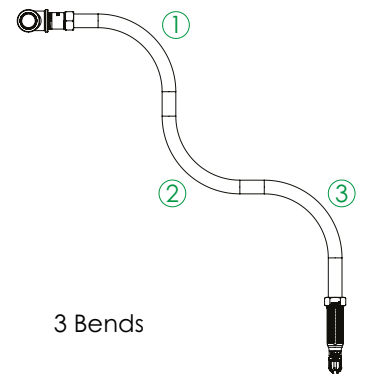
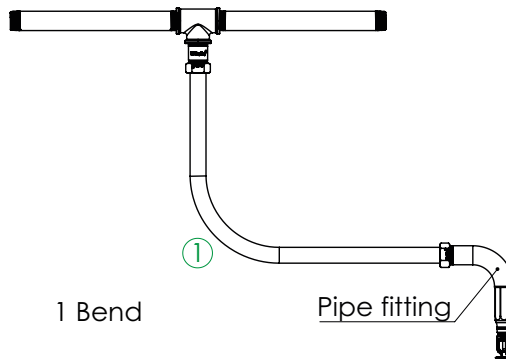
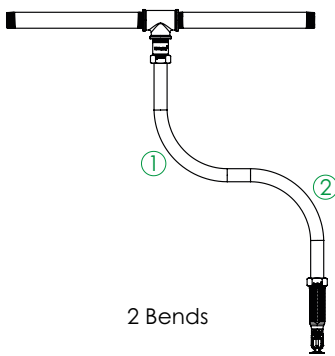
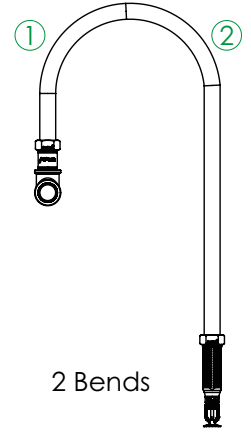
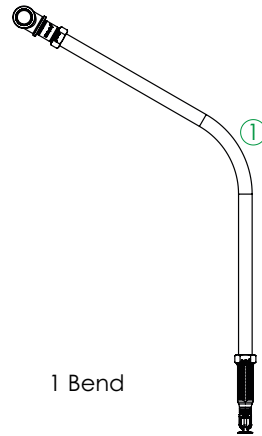
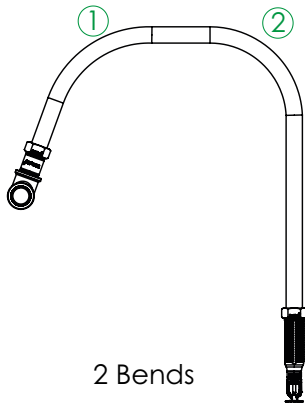
ARF02 Quick Fit Bracket
RDRARF02

4. SUPPORT BAR

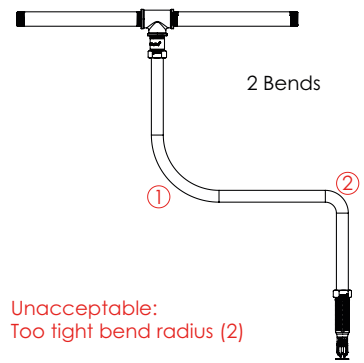
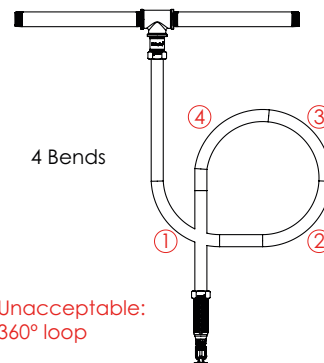
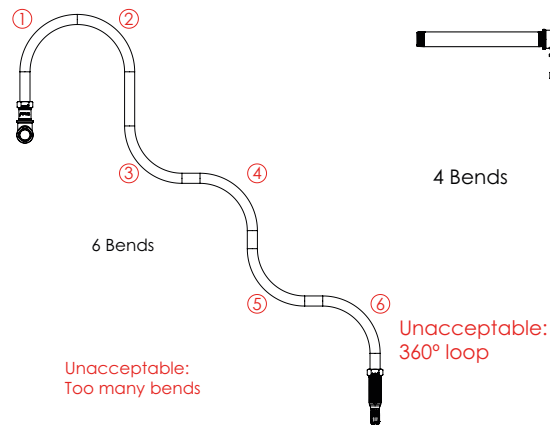
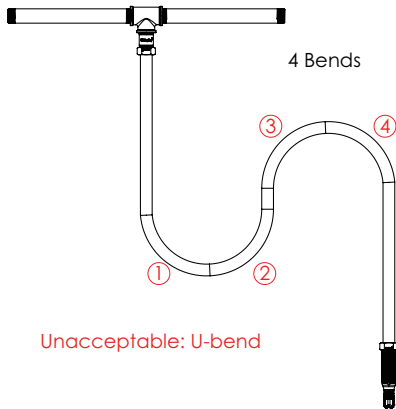
- RDRSBAR0640** (640mm)
- RDRSBAR0800** (800mm)
- RDRSBAR1000** (1000mm)
- RDRSBAR1RD240** (1240mm)
- RDRSBAR1600** (1600mm)



Acceptable



Unacceptable





Installation

All flexible connectors shall comply with the following requirements:

1. Flexible Sprinkler Hose must only be installed by an appropriately qualified person in accordance with the requirements of the local authority having jurisdiction.
2. Flexible connector installations shall comply with suppliers' instructions and shall not exceed any limitations of use stated in their certification listing;
3. Flexible connectors shall be used only on wet pipe installations, inside buildings and protected from freezing temperatures.
4. The total number of 90° bends shall not exceed the value stated in the product certification listing;
5. A flexible connector of an appropriate length shall be used. Pipe bending to reduce the effective flexible connector length is not permissible,
6. Flexible connectors shall only be used to connect a single sprinkler to a distribution pipe,
7. Where the distribution pipe outlet is on the top of the distribution pipe the flexible pipe shall follow a 180° arc before falling vertically towards the sprinkler. For all other connection locations on the distribution pipe, the flexible connector may run either horizontally or be inclined towards the sprinkler termination location;
8. Flexible connector bend radius shall not be smaller than the specified minimum bend radius for the product identified in the product certification listing and all bends greater than 45° shall be fitted with a minimum radius indicator;
9. Any flexible connector which is damaged or kinked shall be replaced;
10. Flexible connectors shall only be used in accessible locations where third-party inspections are permissible.

Sprinkler Heads and Accessories

The Rapidrop range of commercial and residential sprinklers are available in a wide range of head types, K-Factors and response times, all of which have recognised international accreditations.

- SSP, CUP and SSU
- Concealed, Flush Pendent and Side-wall
- Guards and Shields
- Sprinkler Cabinets
- Escutcheon Plates



Residential Sprinkler System

Rapidrop Residential Sprinkler Systems include Flow Switches, Residential Valve Sets and Double Check Valves.

- Dual Port Valve Sets
- RDVSR-S-EU Water Flow Detector
- WRAS Approved Double Check Valve



Alarm Valves

Rapidrop Alarm Valves (System Control Valves) include Wet Alarm and Dry Pipe Valves, Retard Chambers and Alarm Gongs. The range includes approvals from FM, UL, LPCB, CE, UKCA.

- Flanged and Grooved
- Wet Alarm Valves
- Dry Pipe Valves
- Retard Chambers
- Water Motor Alarm Gong



Isolation Valves, Check Valves and Strainers

Rapidrop Valves Available in a range of connections and listings from FM, UL, VdS, LPCB, and CE.

- OS&Y and NRS Gate Valves
- Post Indicator Valves
- Butterfly Valves
- Swing Check Valves
- Y-Type Strainers



Electrical Switches: Water flow & Pressure

Water flow detectors, supervisory switches and pressure switches for monitoring fire sprinkler systems and control valves, available with FM, UL, LPCB, VdS & CE approvals and listings.

- RDVSR-EU and RDVSR-S-EU Water Flow Detectors
- Alarm Pressure Switches
- Supervisory Pressure Switches
- 1381 and 1381V Pressure Switch
- PIBV2 and OSY2 Supervisory Switches



Dry and Wet Riser Systems

Designed and manufactured to meet the requirements of BS5041, BS5306, BS9900.





- Cabinets
- Dry Riser Valves
- Wet Riser Valves
- Galvanised Grooved Couplings
- Accessories and Replacements





Rapidrop



Europe	UK	Middle East & North Africa
<p>Rapidrop Europe Ltd Harcourt Centre Block 3 Dublin 2 Ireland</p> <p>Telephone: +353 1 447 0550 Facsimile: +44 (0)1733 553 958 E-mail: rapidrop@rapidrop.com</p>	<p>Rapidrop Global Ltd Head Office Rutland Business Park Newark Road Peterborough PE1 5WA United Kingdom</p> <p>Telephone: +44 (0)1733 847 510 Facsimile: +44 (0)1733 553 958 E-mail: rapidrop@rapidrop.com</p>	<p>Rapidrop Middle East Trading LLC P.O Box 232031 Dubai - UAE Telephone: +971 4 8856671 Facsimile: +971 4 8856672 Sharjah - Sales Office Telephone : +9716 5562669 Abu Dhabi - Sales Office Telephone : + 971 2 5528228 E-mail: uae@rapidrop.com</p>
Qatar	India	Asia Pacific
<p>Rapidrop Qatar LLC Ezdan Apartment, Building No. 70, Block #05, Ground floor, Office #01, Near VIP hotel , C Ring Road, PO 30295 Doha, Qatar</p> <p>Telephone: +974 4 0161484/482 Facsimile: +974 4 0161483 E-mail: uae@rapidrop.com</p>	<p>Rapidrop India Pvt Ltd Level 13, Office No. 1348 Platinum Techno Park Plot No.17/18, Sector -30A Vashi, Navi Mumbai, 400705 India</p> <p>Telephone: +91 22 61818348 Facsimile: +91 22 61214952 E-mail: rapidrop@rapidrop.com</p>	<p>Rapidrop International P.O Box 232031 Dubai - UAE</p> <p>Telephone: +971 6 566 2773 Facsimile: +971 4 8856672 E-mail: rdi@rapidrop.com</p>
South Africa	Saudi Arabia	Approvals
<p>Rapidrop Global Ltd Dachser South Africa (Pty) Ltd South Africa Country Office Air & Sea Logistics 9 Sim Road Pomona, Kempton Park 1619 Office Telephone: +27(0)11 396 1113 Telephone: +27(0)727601627 E-mail: rapidrop@rapidrop.com</p>	<p>Sales Office Imam Saud Road Cross Abu Berker Aj Siddiq PO BOX 54092 Riyadh 11514 Kingdom of Saudi Arabia</p> <p>Telephone: +966 5569 80094 E-mail: saudi@rapidrop.com</p>	<p>The Rapidrop range includes products which have internationally recognised approvals and listings from FM/UL/VDS and LPCB.</p> <p>    </p> <p><small>Assessed to ISO 9001:2015 Cert.LPCB ref. 568</small></p>

v1.1

